

4100N Series

Tubeaxial

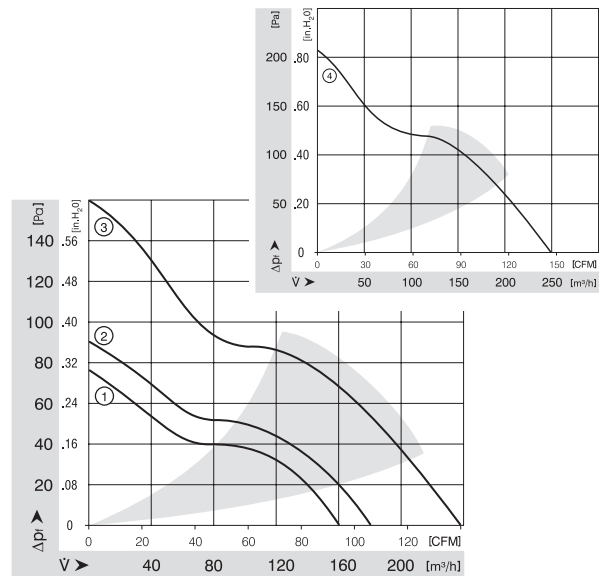
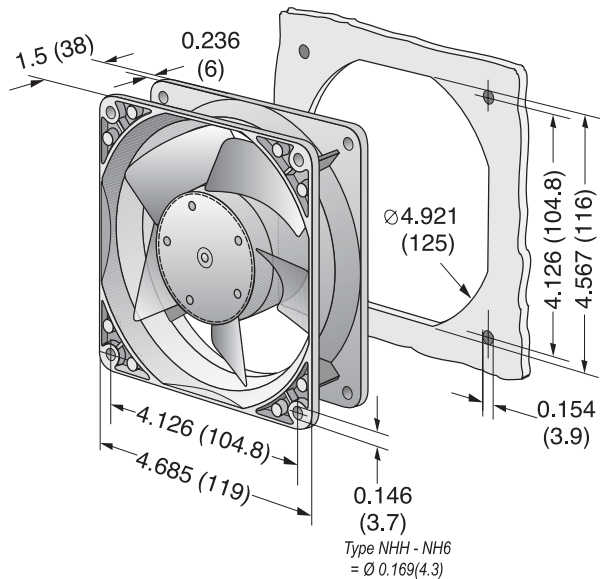
119x119x38mm



- DC fans with electronically commutated external rotor motor. Fully integrated commutation electronics.
- With electronic protection against reverse polarity, blocking and overloading by PTC resistor; partially impedance protected.
- Air intake over struts. Rotational direction CW looking at rotor.
- Metal fan housing. Impeller of fiberglass reinforced plastic PA. Housing with ground lug for screw M4 for M4 x 8 screws.
- Electrical connection via 2 flat pins 2.8 x 0.5 mm.
- UL, CSA, VDE approvals on some models, please contact application engineering.

Part Number	Curve	CFM @ 0	VDC	Volt. Range	Power (W)	dBA	Max. Amb. Temp. C	Bearing Type	Speed (RPM)	Features	Wgt. (lbs)
4182NGX	1	94.2	12	7 to 15	3.5	44	75	Sintec	2800	Terminals	0.86
4182NX	2	105.9	12	7 to 15	4.5	49	75	Ball	3200	Terminals	0.86
4182NXH	3	139.5	12	7 to 14	11	57	55	Ball	4400	Terminals	0.86
4184NGX	1	94.2	24	12 to 30	3.5	44	75	Sintec	2800	Terminals	0.86
4184NX	2	105.9	24	12 to 29	4.5	49	75	Ball	3200	Terminals	0.86
4184NXH	3	139.5	24	12 to 25	11	57	55	Ball	4400	Terminals	0.86
4184NXHH	4	147.1	24	12 to 25	12.2	60	55	Ball	4400	Terminals	0.86
4188NXM	1	94.2	48	36 to 56	3.5	44	75	Ball	2800	Terminals	0.86

continued next page...



ebmpapst

e-mail: sales@us.ebmpapst.com · TEL: 860-674-1515 · FAX: 860-674-8536

ebm-papst Inc., 100 Hyde Road, Farmington, CT 06034 USA

ebm-papst Inc., 2007 © ebm-papst Inc. reserves the right to change any specifications or data without notice

- New Types -

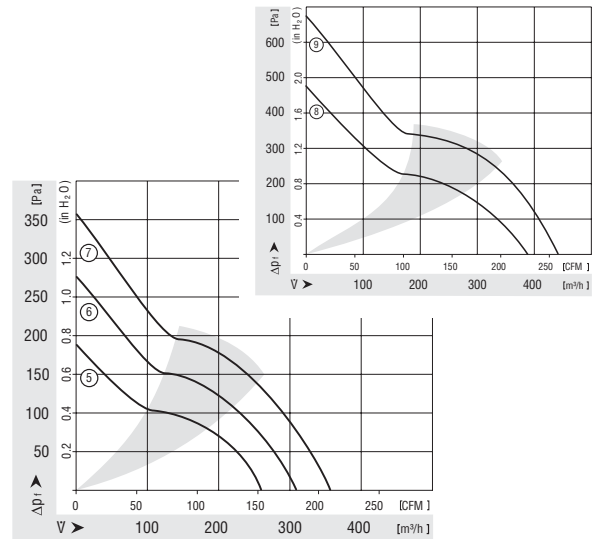
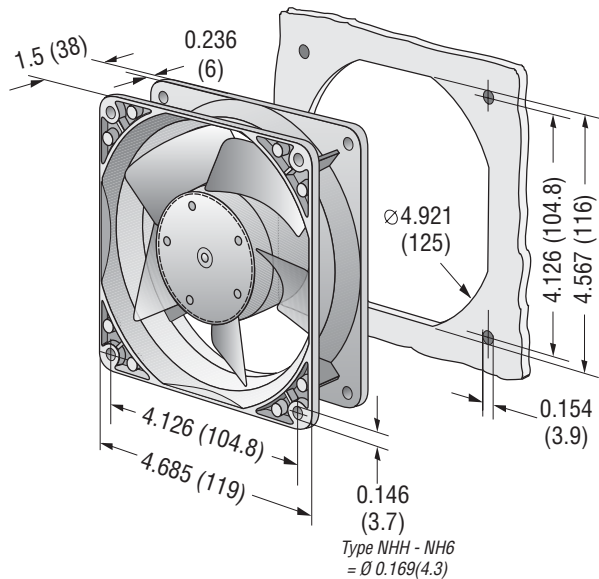


4100N Series cont. Tubeaxial

119x119x38mm High Performance

- DC fans with electronically commutated external rotor motor. Fully integrated commutation electronics.
- With electronic protection against reverse polarity, blocking and overloading by PTC resistor; partially impedance protected.
- Air intake over struts. Rotational direction CW looking at rotor.
- Metal fan housing. Impeller of fiberglass reinforced plastic PA. Housing with ground lug for screw M4 for M4 x 8 screws.
- Electrical connection via leads.
- UL, CSA, VDE approvals on some models, please contact application engineering.

Part Number	Curve	CFM @ 0	VDC	Volt. Range	Power (W)	dBA	Max. Amb. Temp. C	Bearing Type	Speed (RPM)	Features	Wgt. (lbs)
4112NHH	5	152.9	12	9 to 15	15.5	60	65	Ball	5000	Leads	0.86
4112NH3	6	182.4	12	9 to 15	19.5	65	65	Ball	6000	Leads	0.86
4112NH4	7	208.9	12	9 to 14	32.0	67	65	Ball	6800	Leads	0.86
4114NHH	5	152.9	24	16 to 30	15.5	60	65	Ball	5000	Leads	0.86
4114NH3	6	182.4	24	16 to 30	19.5	65	65	Ball	6000	Leads	0.86
4114NH4	7	208.9	24	16 to 30	30.0	67	65	Ball	6800	Leads	0.86
4114NH5	8	229.5	24	16 to 30	45.0	70	65	Ball	7500	Leads	0.86
4114NH6	9	259.0	24	16 to 30	60.0	73	65	Ball	8400	Leads	0.86
4118NHH	5	152.9	48	36 to 60	15.5	60	65	Ball	5000	Leads	0.86
4118NH3	6	182.4	48	36 to 60	19.5	65	65	Ball	6000	Leads	0.86
4118NH4	7	208.9	48	36 to 60	28.0	67	65	Ball	6800	Leads	0.86
4118NH5	8	229.5	48	36 to 60	42.0	70	65	Ball	7500	Leads	0.86
4118NH6	9	259.0	48	36 to 60	55.0	73	65	Ball	8400	Leads	0.86



ebmpapst

e-mail: sales@us.ebmpapst.com · TEL: 860-674-1515 · FAX: 860-674-8536

ebm-papst Inc., 100 Hyde Road, Farmington, CT 06034 USA

ebm-papst Inc., 2007 © ebm-papst Inc. reserves the right to change any specifications or data without notice

- New Types -
- Preliminary -



4100N Series cont. Tubeaxial

119x119x38mm High Performance

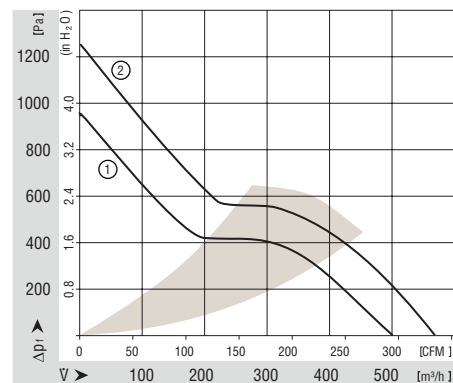
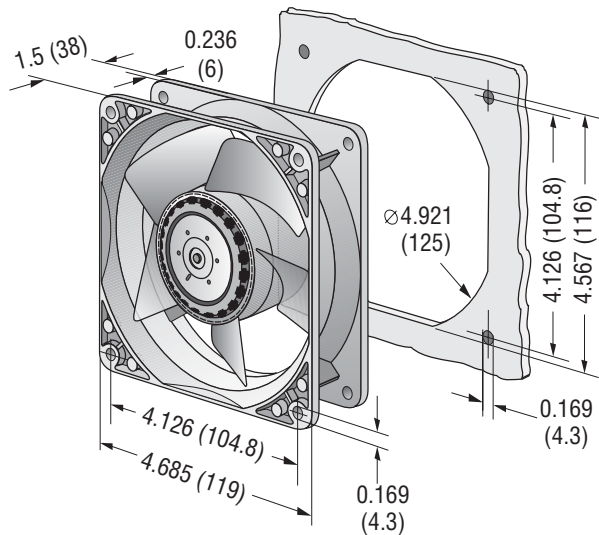
- New axial fan series with highest air flow and pressure performance.
- 3-phase EC motor.
- Electronic protection against reverse polarity, locked rotor and overloading.
- Metal fan housing, Impeller of fiber-glass reinforced plastic PA. Fan housing with ground lug for M4 x 9 screw (Torx).
- Air intake over struts. Rotational direction CW looking at rotor.
- All models with integrated PWM Speed control an /2 Tacho Signal. Other options available.
- Electrical connection via 2 leads AWG 20, Sensor and Control leads AWG 22, UL 1007, TR 64.

Part Number	Curve	CFM @ 0	VDC	Volt. Range	Power (W)	Noise dBA	Noise Bel	Temp Range °C	Bearing Type	Speed (RPM)	Wgt. (lbs)
4114N/2H7P	1	294	24	16 to 30	90	76	8.5	-20 to +75	Ball	9500	0.94
4114N/2H8P	2	336	24	16 to 30	120	78	8.9	-20 to +75	Ball	11000	0.94
4118N/2H7P	1	294	48	36 to 60"	90	76	8.5	-20 to +75	Ball	9500	0.94
4118N/2H8P	2	336	48	36 to 60"	120	78	8.9	-20 to +75	Ball	11000	0.94

External Capacitor with 470 µF recommended.

*36 to 72 VDC available on request.

Preliminary Data - Subject to change without notice.



ebmpapst

e-mail: sales@us.ebmpapst.com · TEL: 860-674-1515 · FAX: 860-674-8536

ebm-papst Inc., 100 Hyde Road, Farmington, CT 06034 USA

ebm-papst Inc., 2007 © ebm-papst Inc. reserves the right to change any specifications or data without notice