

3610KL (92[□] x 25^L)



EMINEBEA.COM

General Specifications

Motor Protection:

Auto Restart/Polarity Protection

Insulation Resistance: 10M Ω or over with a DC500V Megger

Dielectric Withstand Voltage: AC 700V 1s

Allowable Ambient Temperature Range:

B60 Class: -10°C ~ +50°C (Operating)

B10~B50 Class: -10°C ~ +70°C (Operating)

All Class: -40°C ~ +70°C (Storage)

(non-condensing environment)

Expected Life

Failure Rate: 10%

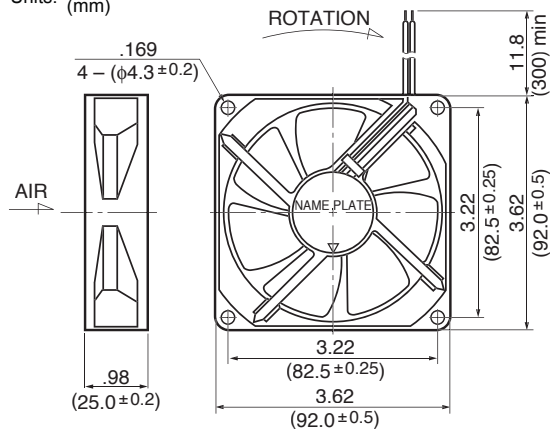
25°C 100,000 Hours (B00, E00)

25°C 70,000 Hours (G00,D00)

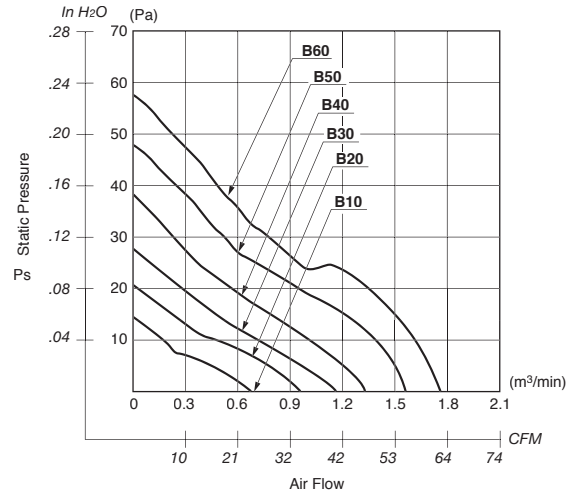
25°C 60,000 Hours (C00, F00)

Outline

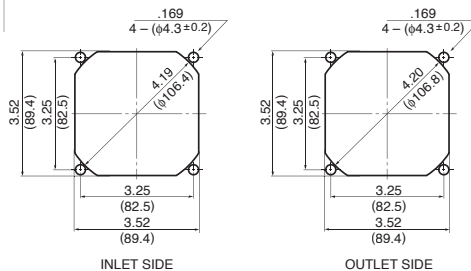
Units: $\frac{\text{inch}}{\text{mm}}$



Characteristic Curves



Panel Cut-outs



Material

Casing : Plastic (Black) 94V-0

Impeller : Plastic (Black) 94V-0

Bearing : Ball Bearing

Lead Wire: UL1007, AWG24, +Red, -Black

Specifications

MODEL	Product No.	Rated Voltage	Operating Voltage	Current	Input Power	Speed	Max. Air Flow		Max. Static Pressure		Noise	Mass
		(V)	(V)				CFM ^{*1}	(m ³ /min) ^{*1}	in H ₂ O	(Pa) ^{*1}		
3610KL-04W-B10-	X00	12	6.0 ~ 13.8	0.073	0.876	1750	26.5	0.75	.06	14.2	25.0	95
3610KL-04W-B20-	X00	12	6.0 ~ 13.8	0.110	1.320	2100	33.5	0.95	.08	20.1	29.5	95
3610KL-04W-B30-	X00	12	6.0 ~ 13.8	0.160	1.920	2450	40.6	1.15	.11	27.0	34.0	95
3610KL-04W-B40-	X00	12	6.0 ~ 13.8	0.220	2.640	2850	47.6	1.35	.15	37.2	37.5	95
3610KL-04W-B50-	X00	12	6.0 ~ 13.0	0.315	3.780	3200	54.7	1.55	.19	48.0	41.0	95
3610KL-04W-B60-	X00	12	6.0 ~ 12.6	0.430	5.160	3600	61.8	1.75	.23	57.2	44.5	95
3610KL-05W-B10-	X00	24	10.0 ~ 27.6	0.05	1.20	1750	26.5	0.75	.06	14.2	25.0	95
3610KL-05W-B20-	X00	24	10.0 ~ 27.6	0.06	1.44	2100	33.5	0.95	.08	20.1	29.5	95
3610KL-05W-B30-	X00	24	10.0 ~ 27.6	0.09	2.16	2450	40.6	1.15	.11	27.0	34.0	95
3610KL-05W-B40-	X00	24	10.0 ~ 27.6	0.12	2.88	2850	47.6	1.35	.15	37.2	37.5	95
3610KL-05W-B50-	X00	24	10.0 ~ 25.0	0.16	3.84	3200	54.7	1.55	.19	48.0	41.0	95
3610KL-05W-B60-	X00	24	10.0 ~ 25.0	0.20	4.80	3600	61.8	1.75	.23	57.2	44.5	95

Rotation: Clockwise

Airflow Outlet: Air Out Over Struts

*1: Average Values in Free Air