



3106KL (80[□] x 15^L)



EMINEBEA.COM

DC Axial Fans

General Specifications

Motor Protection:

Auto Restart/Polarity Protection

Insulation Resistance: 10M^Ω or over with a DC500V Megger

Dielectric Withstand Voltage: AC 700V 1s

Allowable Ambient Temperature Range:

B50 Class: -10 C ~ +50 C (Operating)

B30, B40 Class: -10 C ~ +60 C (Operating)

All Class: -40 C ~ +70 C (Storage)
(non-condensing environment)

Expected Life

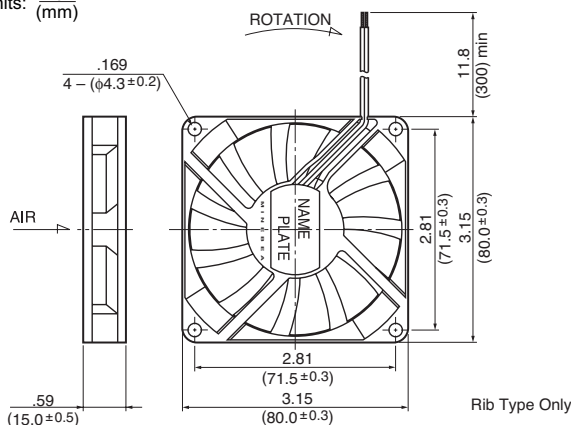
Failure Rate: 10%

25°C 70,000 Hours (B00)

25°C 60,000 Hours (C00)

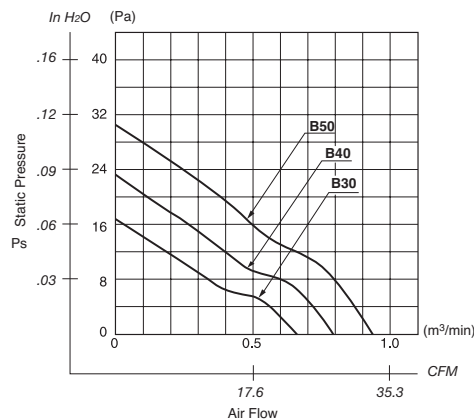
Outline

Units: $\frac{\text{inch}}{\text{mm}}$

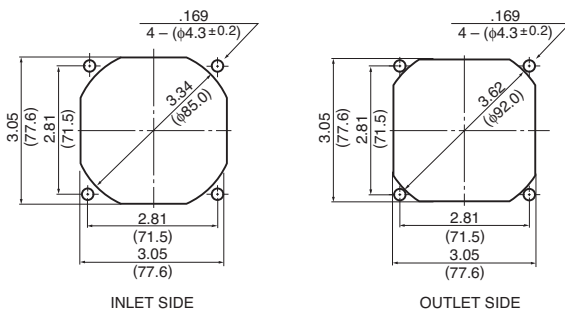


Rib Type Only

Characteristic Curves



Panel Cut-outs



INLET SIDE

OUTLET SIDE

Material

Casing : Plastic (Black) 94V-0

Impeller : Plastic (Black) 94V-0

Bearing : Ball Bearing

Lead Wire: UL1007, AWG26, +Red, -Black

Specifications

MODEL	Product No.	Rated Voltage	Operating Voltage	Current	Input Power	Speed	Max. Air Flow		Max. Static Pressure		Noise	Mass
		(V)	(V)	(A) ^{*1}	(W) ^{*1}	(min ⁻¹) ^{*1}	CFM ^{*1}	(m ³ /min) ^{*1}	in H ₂ O	(Pa) ^{*1}	(dB) ^{*1}	(g)
3106KL-04W-B30-	X00	12	6.0 ~ 13.8	0.11	1.32	2200	23.3	0.66	0.06	16.0	26.0	50
3106KL-04W-B40-	X00	12	6.0 ~ 13.8	0.17	2.04	2600	28.2	0.80	0.09	22.5	30.0	50
3106KL-04W-B50-	X00	12	6.0 ~ 13.0	0.23	2.76	3000	32.8	0.93	0.12	30.0	34.0	50

Rotation: Clockwise

Airflow Outlet: Air Out Over Struts

*1: Average Values in Free Air