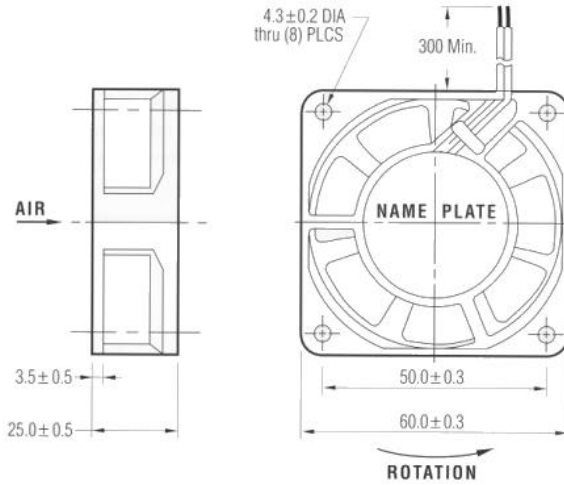




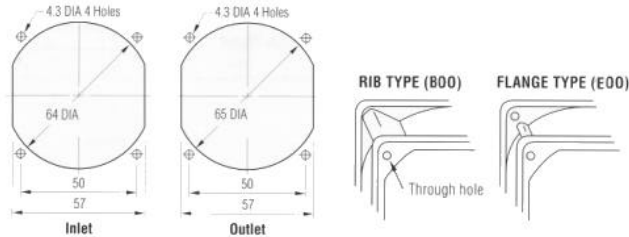
[2410ML]

# Brushless DC Axial Fan Motor

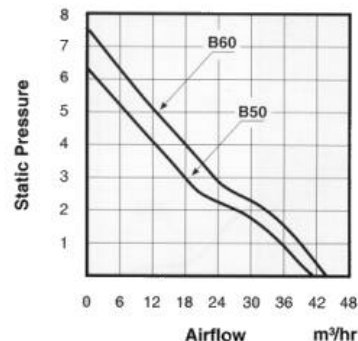
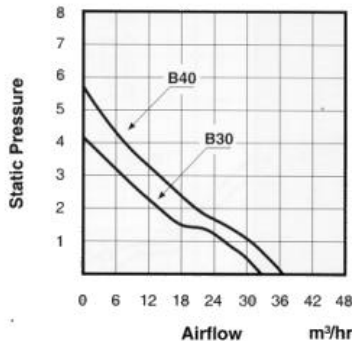
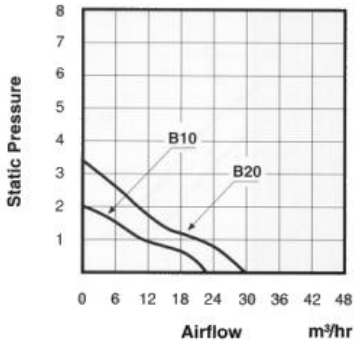


### Features

- Size: 80mm sq x 25mm
- Airflow: 23 – 43 m<sup>3</sup>/hr
- Noise: 23 – 36 dBA
- Weight: 65 g
- Lead Wires: AWG 24, Red/Black UL1007, CSA TR-64
- Impeller and Venturi: UL94V-0 Reinforced plastic



| Model              | Voltage (V) | Range (V) | Power (W) | Current (mA) | Speed (RPM) | Noise (dBA) | Pressure (mm H <sub>2</sub> O) | Airflow            |       |
|--------------------|-------------|-----------|-----------|--------------|-------------|-------------|--------------------------------|--------------------|-------|
|                    |             |           |           |              |             |             |                                | m <sup>3</sup> /hr | (CFM) |
| 2410ML-04W-B10-B00 | 12          | 6-13,8    | 1,20      | 100          | 2950        | 23,0        | 1,81                           | 23,4               | 13,8  |
| 04W-B20-B00        | 12          | 6-13,8    | 1,92      | 160          | 3600        | 28,0        | 3,26                           | 28,8               | 16,9  |
| 04W-B30-B00        | 12          | 6-13,8    | 1,92      | 160          | 4000        | 31,0        | 4,10                           | 32,4               | 19,1  |
| 04W-B40-B00        | 12          | 6-13,8    | 2,64      | 220          | 4550        | 33,5        | 5,31                           | 36,6               | 21,5  |
| 04W-B50-B00        | 12          | 6-13,8    | 3,12      | 260          | 4900        | 35,0        | 6,36                           | 39,6               | 23,3  |
| 04W-B60-B00        | 12          | 6-13,8    | 4,80      | 400          | 5300        | 36,0        | 7,46                           | 42,6               | 25,1  |
| 2410ML-05W-B10-B00 | 24          | 10-27,6   | 1,92      | 80           | 2950        | 23,0        | 1,81                           | 23,4               | 13,8  |
| 05W-B20-B00        | 24          | 10-27,6   | 2,16      | 90           | 3600        | 28,0        | 3,26                           | 28,8               | 16,9  |
| 05W-B30-B00        | 24          | 10-27,6   | 1,92      | 80           | 4000        | 31,0        | 4,10                           | 32,4               | 19,1  |
| 05W-B40-B00        | 24          | 10-27,6   | 2,88      | 120          | 4550        | 33,5        | 5,31                           | 36,6               | 21,5  |
| 05W-B50-B00        | 24          | 10-27,6   | 3,12      | 130          | 4900        | 35,0        | 6,36                           | 39,6               | 23,3  |
| 05W-B60-B00        | 24          | 10-27,6   | 4,08      | 170          | 5300        | 36,0        | 7,46                           | 42,6               | 25,1  |



The information contained in this data sheet represents typical performance of the product, and is subject to change without notice. Product performance may be varied or enhanced to meet individual requirements. For further information please contact your local sales office



**NMB (U.K.) Ltd.**  
**NMB Minebea GmbH**  
**NMB Minebea Sarl**  
**NMB Italy Srl**  
**NMB Technologies Inc.**  
**Minebea Technologies Pte. Ltd**

1, Sterling Centre, Eastern Road, Bracknell, Berkshire RG12 2PW, England Tel (44) 1344 42 6611 Fax (44) 1344 48 5522  
 Siemensstrasse 30, 63225 Langen, Germany Tel (49) 6103-913-0 Fax (49) 6103-913-220  
 5 Av. Des Bosquets, 9550 Baillet en France, France Tel (33)1-34083939 Fax (33)1-34083930  
 Via A Grandi 39/41, 20017 Mazzo di Rho, Milan Italy Tel (39) 2-939711 Fax (39) 2-93901154  
 9730 Independence Avenue, Chatsworth, California USA Tel: (818) 341 3355 Fax: (818) 341 8207  
 PSA Building, 460 Alexandra Road, #34-02, Singapore 119963 Tel (65) 278 8522 Fax (65) 444 6527

Brushless DC Axial Fan Motor

[2410ML]