



General Specifications

Motor Protection:

Auto Restart/Polarity Protection

Insulation Resistance: 10M Ω or over with a DC500V Megger

Dielectric Withstand Voltage: AC 700V 1s

Allowable Ambient Temperature Range:

-10°C ~ +70°C (Operating)

-40°C ~ +70°C (Storage)

(non-condensing environment)

Expected Life

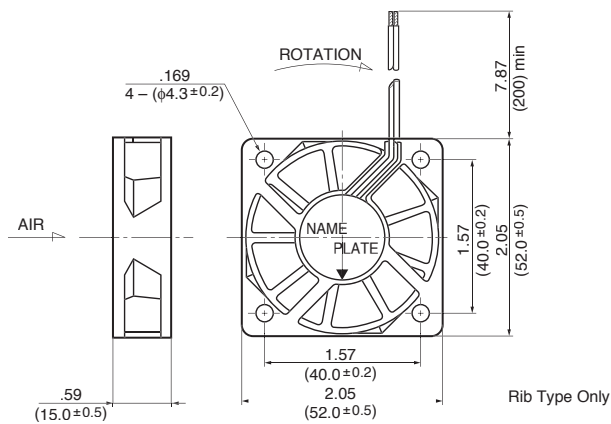
Failure Rate: 10%

25°C 50,000 Hours (L00)

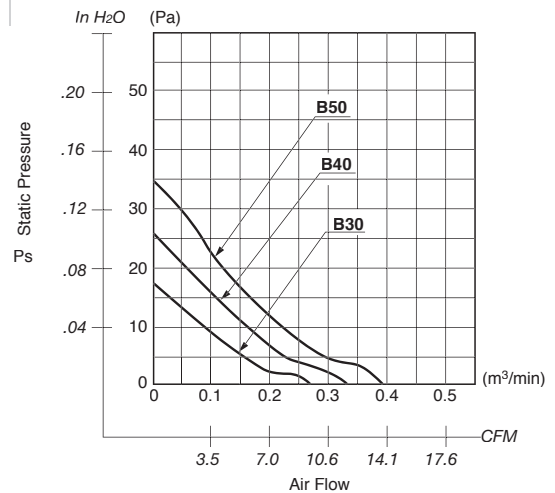
25°C 40,000 Hours (T00)

Outline

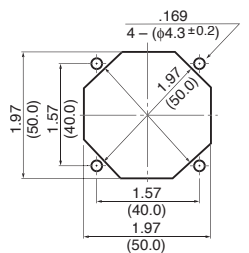
Units: $\frac{\text{inch}}{\text{mm}}$



Characteristic Curves



Panel Cut-outs



INLET SIDE / OUTLET SIDE

Material

Casing : Plastic (Black) 94V-0

Impeller : Plastic (Black) 94V-0

Bearing : Ball Bearing

Lead Wire : UL1061, AWG26, +Red, -Black

Specifications

MODEL	Product No.	Rated Voltage	Operating Voltage	Current	Input Power	Speed	Max. Air Flow		Max. Static Pressure		Noise	Mass
		(V)	(V)	(A) ^{*1}	(W) ^{*1}	(min ⁻¹) ^{*1}	CFM ^{*1}	(m ³ /min) ^{*1}	in H ₂ O	(Pa) ^{*1}	(dB) ^{*1}	(g)
2106KL-04W-B30-	X00	12	10.2 ~ 13.0	0.07	0.84	3500	9.9	0.28	.07	18.0	21.0	25
2106KL-04W-B40-	X00	12	10.2 ~ 13.0	0.09	1.08	4200	12.0	0.34	.10	26.0	25.5	25
2106KL-04W-B50-	X00	12	10.2 ~ 13.0	0.13	1.56	4900	14.1	0.40	.14	35.0	30.0	25

Rotation: Clockwise

Airflow Outlet: Air Out Over Struts

*1: Average Values in Free Air