



General Specifications

Motor Protection:

Auto Restart/Polarity Protection

Insulation Resistance: 10M Ω or over with a DC500V Megger

Dielectric Withstand Voltage: AC 700V 1s

Allowable Ambient Temperature Range:

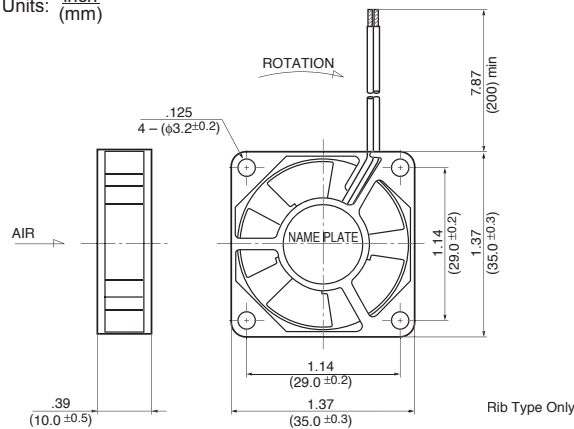
-10°C ~ +70°C (Operating)

-40°C ~ +70°C (Storage)

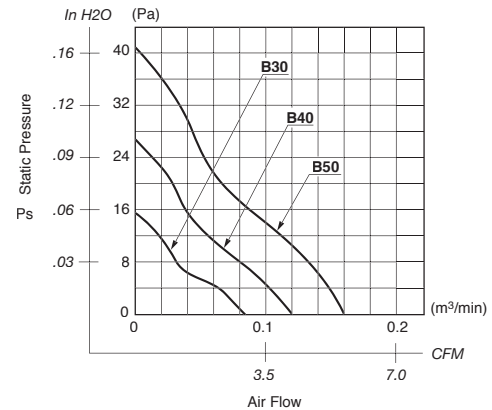
(non-condensing environment)

Outline

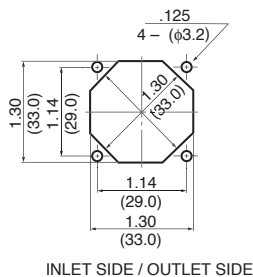
Units: $\frac{\text{inch}}{\text{mm}}$



Characteristic Curves



Panel Cut-outs



Material

Casing : Plastic (Black) 94V-0

Impeller : Plastic (Black) 94V-0

Bearing : Ball Bearing

Lead Wire: UL1061, AWG26, +Red, -Black

Specifications

MODEL	Product No.	Rated Voltage	Operating Voltage	Current	Input Power	Speed	Max. Air Flow		Max. Static Pressure		Noise	Mass
		(V)	(V)	(A) ^{*1}	(W) ^{*1}	(min ⁻¹) ^{*1}	CFM ^{*1}	(m ³ /min) ^{*1}	in H ₂ O	(Pa) ^{*1}	(dB) ^{*1}	(g)
1404KL-01W-B30-	X00	5	4.5 ~ 5.5	0.08	0.40	5000	3.0	0.086	.06	15.5	19.0	12
1404KL-01W-B40-	X00	5	4.5 ~ 5.5	0.17	0.85	7000	4.2	0.120	.10	26.8	22.0	12
1404KL-01W-B50-	X00	5	4.5 ~ 5.5	0.21	1.05	9000	5.6	0.160	.16	41.0	27.0	12
1404KL-04W-B30-	X00	12	8 ~ 13.8	0.04	0.48	5000	3.0	0.086	.06	15.5	19.0	12
1404KL-04W-B40-	X00	12	8 ~ 13.8	0.07	0.84	7000	4.2	0.120	.10	26.8	22.0	12
1404KL-04W-B50-	X00	12	8 ~ 13.8	0.08	0.96	9000	5.6	0.160	.16	41.0	27.0	12

Rotation: Clockwise

Airflow Outlet: Air Out Over Struts

*1: Average Values in Free Air