

120mm sq.**San Ace 120**

25mm thick, 25mm thick (with Sensor)

38mm thick, 38mm thick (with Sensor)

**General Specifications**

- Material..... Frame: Aluminum, Impeller:Plastics (Flammability: UL94V-1)
- Life Expectancy Varies for each model (L10:Survival rate: 90% at 60°C , rated voltage,and continuously run in a free air state)
- Dielectric Strength 50/60Hz 1,500VAC 1minute (between input terminal and frame)
- Dielectric Strength (With Sensor) ... between AC input and DC input(Sensor output)
 - : 50/60Hz 1,000VAC 1minute
 - between AC input and G
 - : 50/60Hz 1,500VAC 1minute,
 - between G and DC input(Sensor output)
 - : 50/60Hz 1,000VAC 1minute
- Sensor-Purpose Lead Wire ... ⊕ brown ⊖ black (Sensor) yellow

120×120×38mm [Mass : 550g / 580g (with Sensor)]**Specifications Standard** ※ represents low-speed.

Model No.	Voltage [V]	Frequency [Hz]	Input [W]	Current [A]	Locked Rotor Current [A]	Rated Speed [min ⁻¹]	Air Flow [m ³ /min] [CFM]	Static Pressure [Pa] [inchH ₂ O]	SPL [dB(A)]	Operating Temperature [°C]	Life Expectancy [h]		
109S075UL	100	50/60	18/16	0.24/0.21	0.32/0.28	2,700/3,100	2.5/2.9 88.3/102.5	57.9/68.7 0.233/0.276	42/45	-30 to +60	25,000		
109S074UL	115			0.21/0.18	0.27/0.24								
109S078UL	200			0.12/0.1	0.16/0.14								
109S072UL	230			0.11/0.09	0.14/0.13								
109S005	100		14/12	0.18/0.16	0.25/0.22	2,700/3,100	2.35/2.7 83 / 95.4	55.9/65.7 0.224/0.264	40/43				
109S005UL	100												
109S024	120											0.16/0.14	0.21/0.18
109S024UL	115											0.09/0.08	0.13/0.11
109S008	200		230	0.08/0.07	0.11/0.09	2,450/2,700	2.15/2.35 76 / 83	44.1/49.0 0.177/0.197	38/40				
109S008UL	200												
109S025	230		100	14/12	0.18/0.16	0.23/0.21	1,800/2,000	1.54/1.72 54.4/ 60.8	24 / 27 0.096/0.108			30/32	
109S025UL	230												
109S029UL	100		7/7	0.1 / 0.09	0.1 / 0.09	1,650/1,700	1.45/1.5 51.2/ 53	17.6/17.6 0.071/0.071	28/28				
109S013	100												
109S013UL	115		10/10	0.13/0.11	0.13/0.11	1,800/1,900	1.56/1.64 55 / 57.9	20 /20.6 0.080/0.083	30/31				
109S006 ※	115												
109S006UL ※	115	7/7	0.05/0.04	0.05/0.04	1,650/1,700	1.45/1.5 51.2/ 53	17.6/17.6 0.071/0.071	28/28					
109S010 ※	200												
109S010UL ※	240	11/11	0.06/0.05	0.06/0.05	1,800/1,950	1.58/1.68 55.8/ 59.3	20.6/21.6 0.083/0.087	30/32					

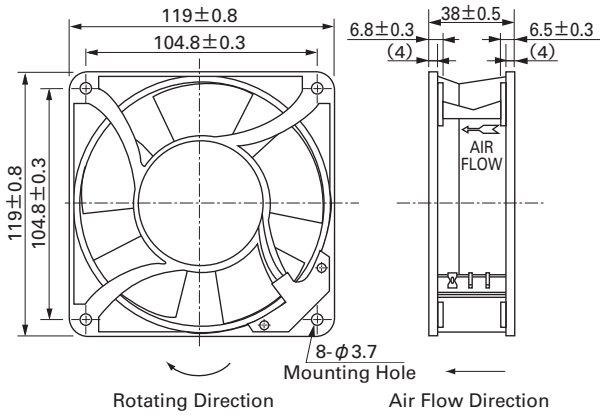
with Sensor ※ represents low-speed.

Model No.	Voltage [V]	Frequency [Hz]	Input [W]	Current [A]	Locked Rotor Current [A]	Rated Speed [min ⁻¹]	Air Flow [m ³ /min] [CFM]	Static Pressure [Pa] [inchH ₂ O]	SPL [dB(A)]	Operating Temperature [°C]	Life Expectancy [h]		
109S405UL	100	50/60	14/12	0.18/0.16	0.25/0.22	2,700/3,100	2.35/2.7 83/95.4	55.9/65.7 0.224/0.264	40/43	-10 to +60	25,000		
109S424UL	115			0.16/0.14	0.21/0.18								
109S408UL	200			0.09/0.08	0.13/0.11								
109S425UL	230			0.08/0.07	0.11/0.09								
109S429UL	100		7/6	0.18/0.16	0.23/0.21	2,450/2,700	2.15/2.35 76/83	44.1/49.0 0.177/0.197	38/40				
109S406UL ※	100											0.09/0.08	0.1 / 0.09
109S475UL	100		18/16	0.24/0.21	0.32/0.28	2,700/3,100	2.5 /2.9 88.3/102.4	57.9/68.7 0.233/0.276	42/45				
109S474UL	115											0.21/0.18	0.27/0.24
109S478UL	200											0.12/0.1	0.16/0.14
109S472UL	230											0.11/0.09	0.14/0.13

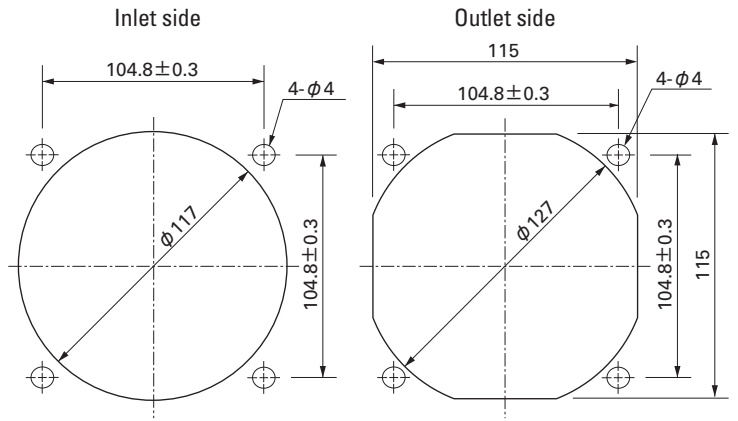
Two types of power supplies, 5V and 12V, are available in fans with sensor attached.

Dimensions (Unit : mm)

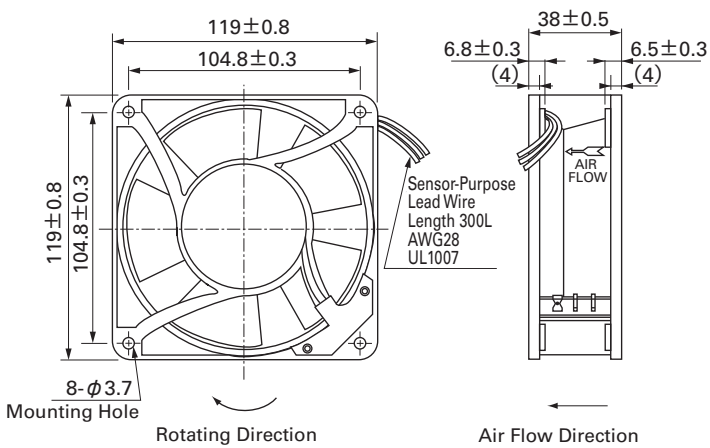
Standard



Reference dimension of mounting holes and vent opening (Unit : mm)

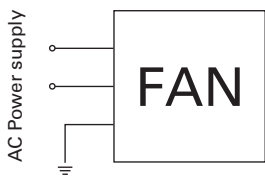


with Sensor



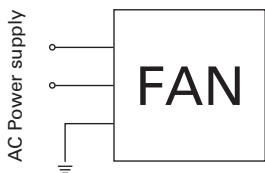
Wiring diagram

Standard

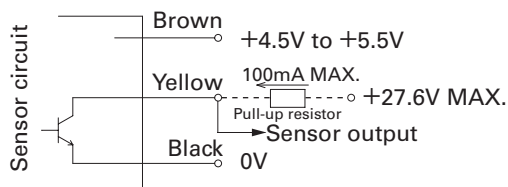


with Sensor

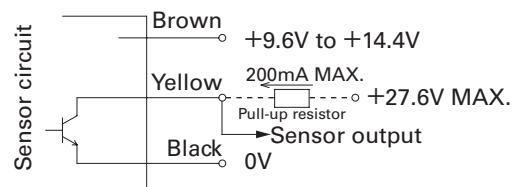
(For fan power supply)



5V



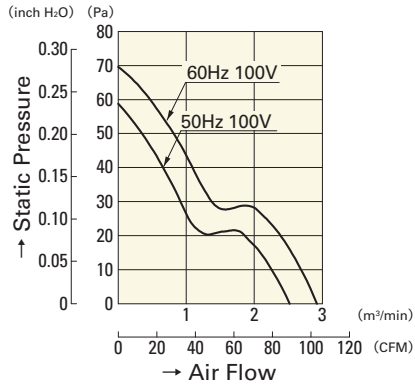
12V



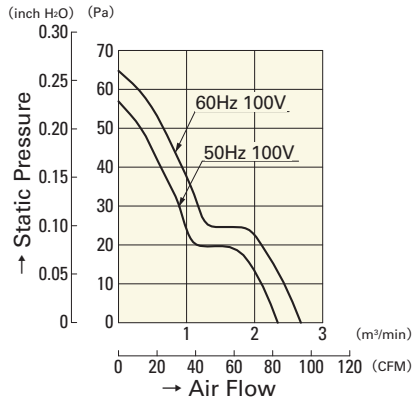
GND should be shared in case that power supply for sensor circuit and that for sensor pull-up are separated.

Air Flow and Static Pressure Characteristics

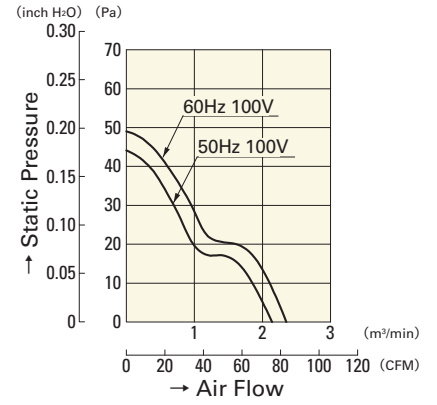
Standard



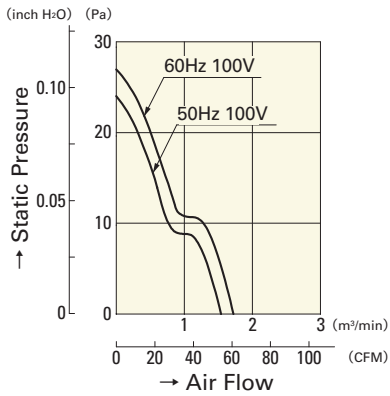
109S075UL	109S074UL
109S078UL	109S072UL



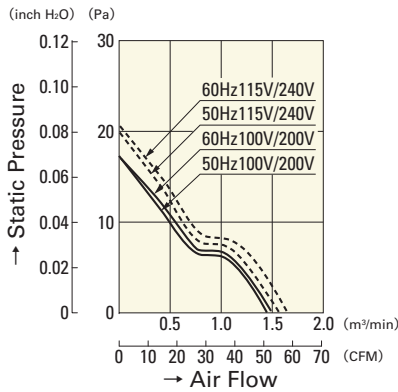
109S005	109S005UL
109S024	109S024UL
109S008	109S008UL
109S025	109S025UL



109S029UL

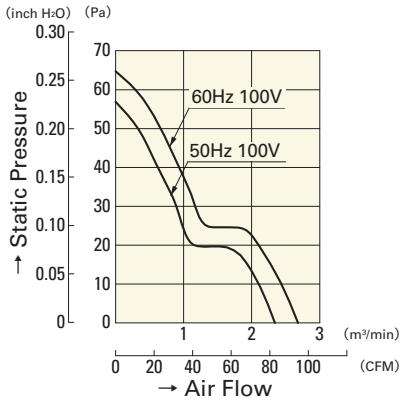


109S013
109S013UL

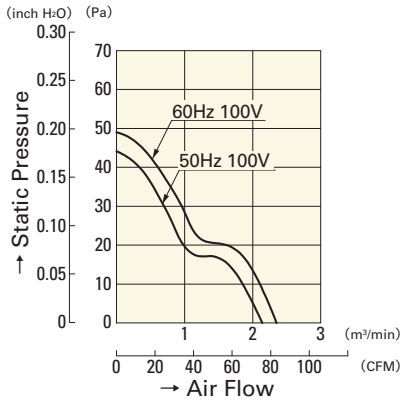


109S006	109S006UL
109S010	109S010UL

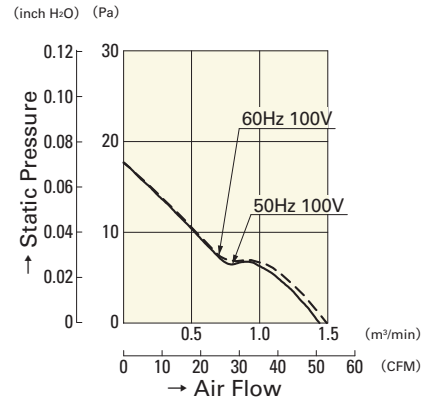
with Sensor



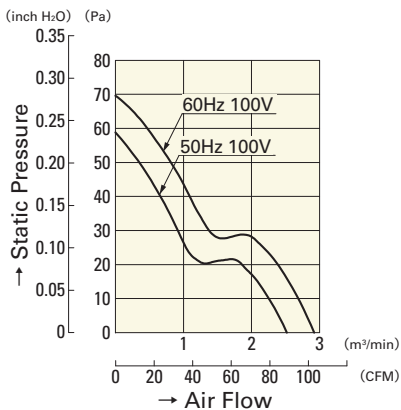
109S405UL	109S424UL
109S408UL	109S425UL



109S429UL



109S406UL



109S475UL	109S474UL
109S478UL	109S472UL