

© COPYRIGHT 1998 BY SPC TECHNOLOGY. ALL RIGHTS RESERVED. NO PORTION OF THIS PUBLICATION, WHETHER IN WHOLE OR IN PART CAN BE REPRODUCED WITHOUT THE EXPRESS WRITTEN CONSENT OF SPC TECHNOLOGY.

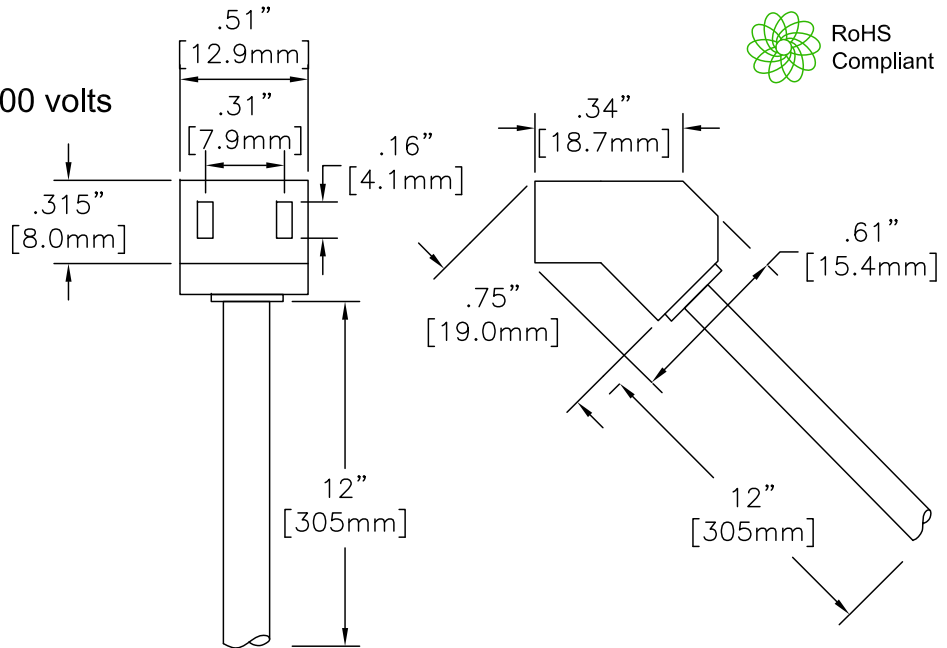
| REVISIONS | | | | DOC. NO. SPC-F005, Total Pages: 2 | | | | |
|-----------|-----|-------------|-------|-----------------------------------|--------|----------|--------|----------|
| DCP # | REV | DESCRIPTION | DRAWN | DATE | CHECKD | DATE | APPRVD | DATE |
| 2033 | A | RELEASED | JN | 12/14/09 | JN | 12/14/09 | JN | 12/14/09 |

Features

- Wire: SPT1 2 and 3 conductor 105°C, 300 volts
- Lengths: 12"

Other options

- Terminal connections (any)
- Heat shrink
- Labeling
- Stripping
- Tinning
- Three conductor cords
- Complete wire harness assemblies (rated at 105°C, 300 volts)
- Red tracer cords (all head configurations and lengths)



| | | | | | | |
|---|---|----------------------------------|---|------------------------------------|---|--|
| <small>DISCLAIMER: ALL STATEMENTS AND TECHNICAL INFORMATION CONTAINED HEREIN ARE BASED UPON INFORMATION AND/OR TESTS WE BELIEVE TO BE ACCURATE AND RELIABLE. SINCE CONDITIONS OF USE ARE BEYOND OUR CONTROL, THE USER SHALL DETERMINE THE SUITABILITY OF THE PRODUCT FOR THE INTENDED USE AND ASSUME ALL RISK AND LIABILITY WHATSOEVER IN CONNECTION THEREWITH.</small> | | | | | | |
| <small>UNLESS OTHERWISE SPECIFIED, DIMENSIONS ARE FOR REFERENCE PURPOSES ONLY.</small> | <small>DRAWN BY:</small> Jason Nash | <small>DATE:</small> 12/14/09 | <small>DRAWING TITLE:</small> Fan Power Cord | | | |
| | <small>CHECKED BY:</small> Jason Nash | <small>DATE:</small> 12/14/09 | <small>SIZE</small> A | <small>DWG. NO.</small> MC34213 | <small>ELECTRONIC FILE</small> 32R8493.dwg | |
| | <small>APPROVED BY:</small> Jason Nash | <small>DATE:</small> 12/14/09 | <small>REV</small> A | | | |
| | | | <small>SCALE:</small> NTS | <small>U.O.M.:</small> MILLIMETERS | <small>SHEET:</small> 1 OF 1 | |

SPC-F005.DWG