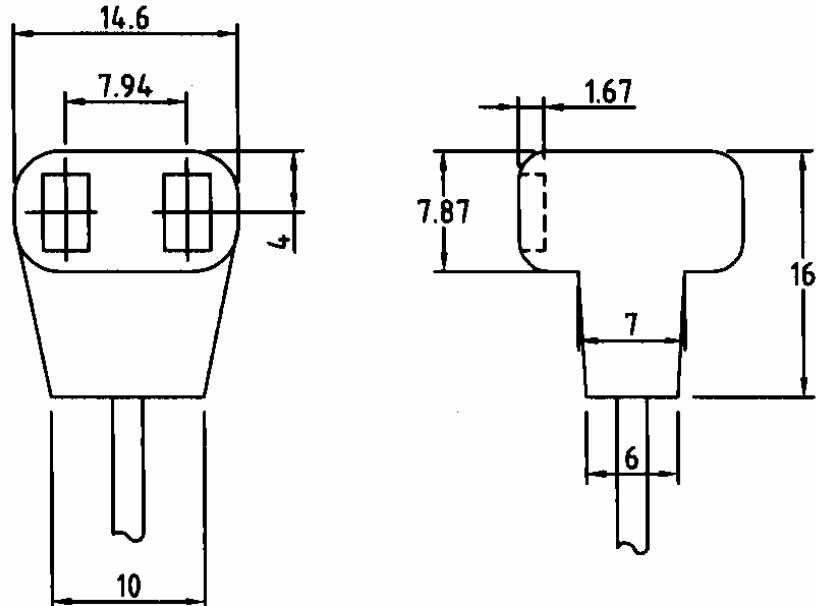


## Fan plug and chord:



Part Number	Lead length	Max Operating Temp.
51-0030-02	610mm	60 degrees C
51-0030-04	1000mm	60 degrees C
51-0030-05	1500mm	60 degrees C
51-0030-09	2000mm	60 degrees C
51-0030-07	3000mm	60 degrees C
51-0030-08	4978mm	60 degrees C
428506-02	610mm	105 degrees C
428506-04	1000mm	105 degrees C
428506-05	1500mm	105 degrees C
428506-09	2000mm	105 degrees C