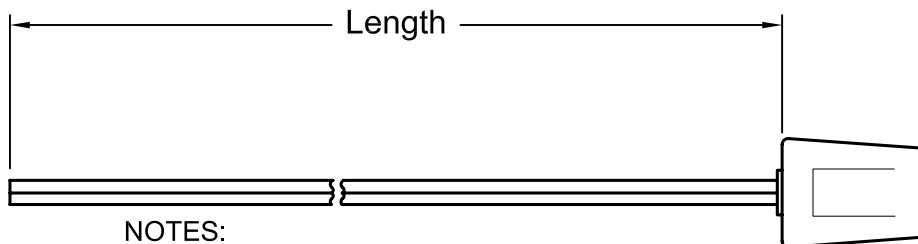


ALL RIGHTS RESERVED. NO PORTION OF THIS PUBLICATION, WHETHER IN WHOLE OR IN PART CAN BE REPRODUCED WITHOUT THE EXPRESS WRITTEN CONSENT OF SPC TECHNOLOGY.

REVISIONS			DOC. NO. SPC-F004 * Effective: 12/21/98 * DCP No: 680					
DCP #	REV	DESCRIPTION	DRAWN	DATE	CHECKD	DATE	APPRVD	DATE
1363	A	RELEASED	JWM	4/26/02	HO	4/26/02	DJC	4/26/02
1811	B	RoHS ADDED	DCM	12/27/05	JWM	12/27/05	JWM	12/27/05



NOTES:

- Rated: 7A @ 300V
- Material:
 Body: PVC
 Cord: SPT-1, 18AWG, 2 Conductor
 Terminal: Brass, Nickel Plated

Fan Connector
per Type No.
See Chart Below

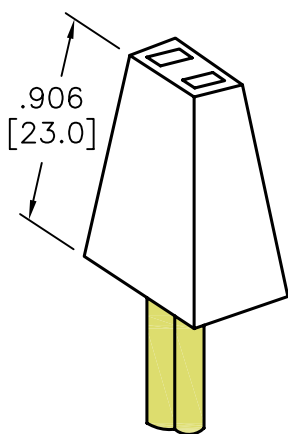


Fig. 1

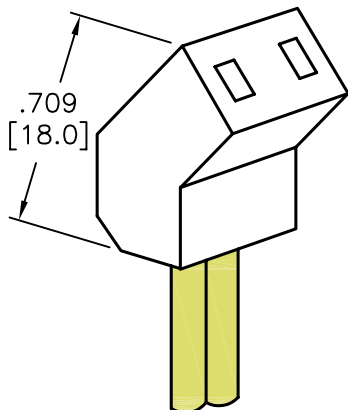


Fig. 2

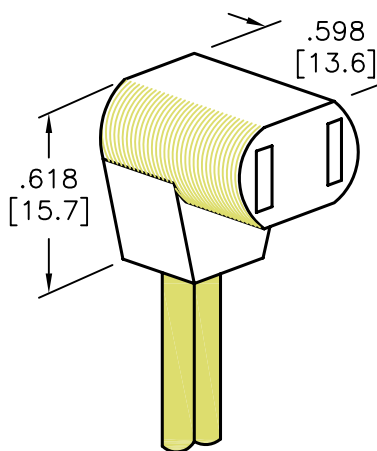


Fig. 3

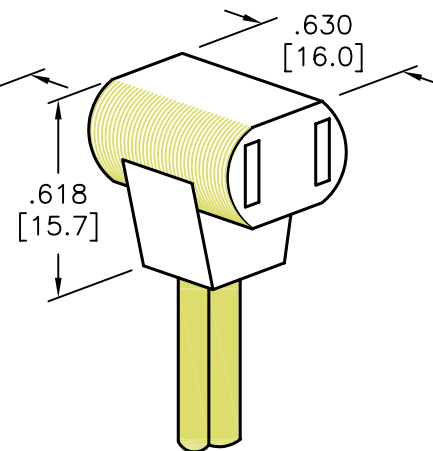


Fig. 4

SPC Type No.	Fan Connector	Length (Inches)	Figure
SPC11758	Straight	24	1
SPC11759	Straight	36	1
SPC11760	45°	24	2
SPC11761	45°	36	2
SPC11762	90°	24	3
SPC11763	90°	36	3
SPC11764	"T"	24	4
SPC11765	"T"	36	4

SPC-F004.DWG

DISCLAIMER:
 ALL STATEMENTS AND TECHNICAL INFORMATION CONTAINED HEREIN ARE BASED UPON INFORMATION AND/OR TESTS WE BELIEVE TO BE ACCURATE AND RELIABLE. SINCE CONDITIONS OF USE ARE BEYOND OUR CONTROL, THE USER SHALL DETERMINE THE SUITABILITY OF THE PRODUCT FOR THE INTENDED USE AND ASSUME ALL RISK AND LIABILITY WHATSOEVER IN CONNECTION THEREWITH.



SPC TECHNOLOGY

UNLESS OTHERWISE SPECIFIED, DIMENSIONS ARE FOR REFERENCE PURPOSES ONLY.

DRAWN BY:	DATE:
Jeff McVicker	4/26/02
CHECKED BY:	DATE:
Hisham Odish	4/26/02
APPROVED BY:	DATE:
Daniel Carey	4/26/02

DRAWING TITLE: Fan Power Cords			
SIZE A	DWG. NO. TA-525	ELECTRONIC FILE TA-525.dwg	REV B
SCALE: NTS		U.O.M.: INCHES [mm]	SHEET: 1 OF 1