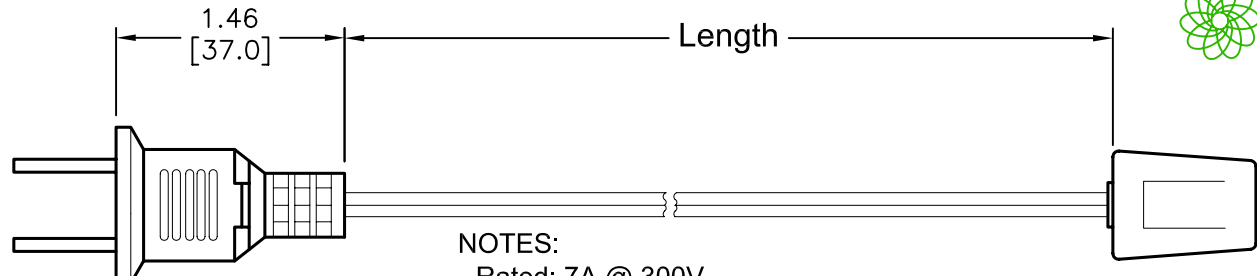


DCP #		REV	DESCRIPTION	DRAWN	DATE	CHECKD	DATE	APPRVD	DATE
1363		A	RELEASED	JWM	4/26/02	HO	4/26/02	DJC	4/26/02
1780		B	RoHS Added	DCM	10/16/05	JWM	10/17/05	JWM	10/17/05



NEMA 1-15 Plug

Fan Connector per Type No. See Chart Below

NOTES:
 - Rated: 7A @ 300V
 - Material:
 Body: PVC
 Cord: SPT-1, 18AWG, 2 Conductor
 Terminal: Brass, Nickel Plated

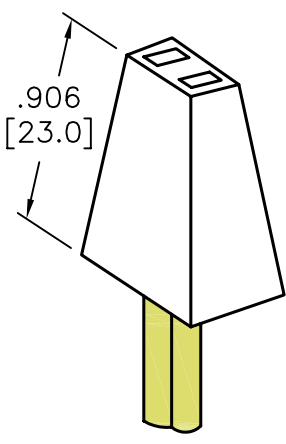


Fig. 1

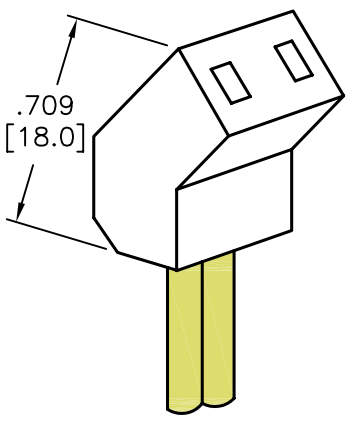


Fig. 2

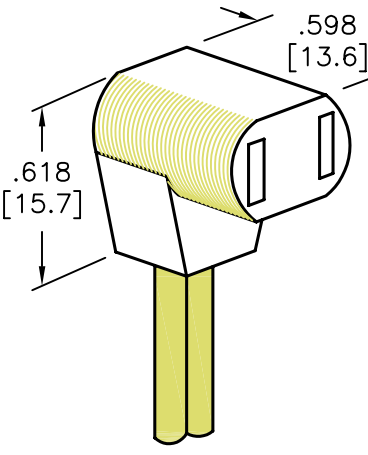


Fig. 3

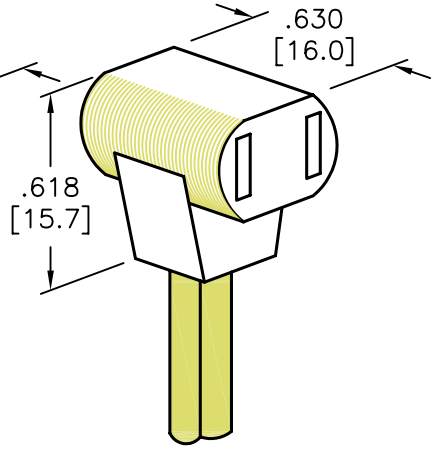


Fig. 4

SPC Type No.	Fan Connector	Length (Inches)	Figure
SPC11037	Straight	24	1
SPC11038	Straight	36	1
SPC11039	45°	24	2
SPC11040	45°	36	2
SPC11041	90°	24	3
SPC11042	90°	36	3
SPC11043	"T"	24	4
SPC11044	"T"	36	4

SPC-F004.DWG

TOLERANCES: UNLESS OTHERWISE SPECIFIED, DIMENSIONS ARE FOR REFERENCE PURPOSES ONLY.	DRAWN BY:	DATE:	DRAWING TITLE:				
	Jeff McVicker	4/26/02	Fan Power Cords				
	CHECKED BY:	DATE:	SIZE	DWG. NO.	ELECTRONIC FILE	REV	
	Hisham Odish	4/26/02	A	TA-524	TA-524.dwg	B	
APPROVED BY:	DATE:	SCALE:		U.O.M.:		SHEET:	
Daniel Carey	4/26/02	NTS		INCHES [mm]		1 OF 1	

ALL RIGHTS RESERVED. NO PORTION OF THIS PUBLICATION, WHETHER IN WHOLE OR IN PART CAN BE REPRODUCED WITHOUT THE EXPRESS WRITTEN CONSENT OF SPC TECHNOLOGY. DISCLAIMER: ALL STATEMENTS AND TECHNICAL INFORMATION CONTAINED HEREIN ARE BASED UPON INFORMATION AND/OR TESTS WE BELIEVE TO BE ACCURATE AND RELIABLE. SINCE CONDITIONS OF USE ARE BEYOND OUR CONTROL, THE USER SHALL DETERMINE THE SUITABILITY OF THE PRODUCT FOR THE INTENDED USE AND ASSUME ALL RISK AND LIABILITY WHATSOEVER IN CONNECTION THEREWITH.