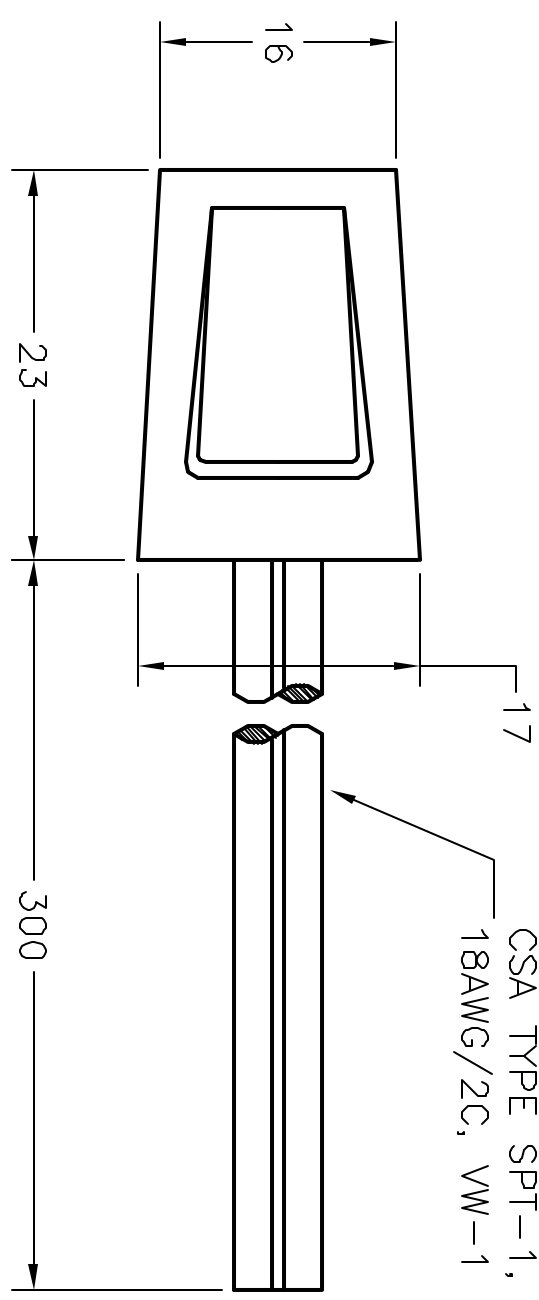
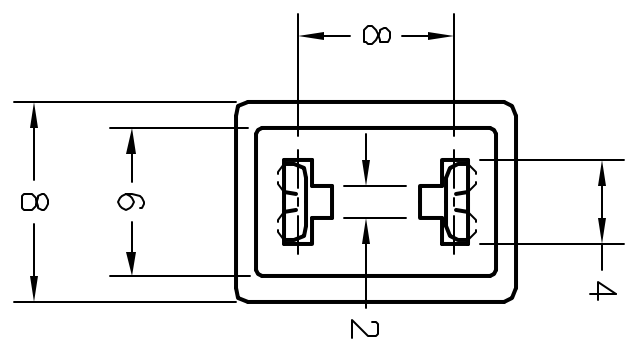


© COPYRIGHT 1998 BY SPC TECHNOLOGY. ALL RIGHTS RESERVED. NO PORTION OF THIS PUBLICATION, WHETHER IN WHOLE OR IN PART CAN BE REPRODUCED WITHOUT THE EXPRESS WRITTEN CONSENT OF SPC TECHNOLOGY.

REVOLUTIONS		DOC. NO.	SPC-F005, Total Pages:	2				
DCP #	REV	DESCRIPTION	DATE	CHECKED	DATE	APPROVED	DATE	
573	A	RELEASED	DJC	9/29/98	JIN	08/12/08	JWM	10/12/98



DISCLAIMER:
 ALL STATEMENTS AND TECHNICAL INFORMATION CONTAINED HEREIN ARE BASED UPON INFORMATION AND/OR TESTS WE BELIEVE TO BE ACCURATE AND RELIABLE. SINCE CONDITIONS OF USE ARE BEYOND OUR CONTROL, THE USER SHALL DETERMINE THE SUITABILITY OF THE PRODUCT FOR THE INTENDED USE AND ASSUME ALL RISK AND LIABILITY WHATSOEVER IN CONNECTION THEREWITH.

UNLESS OTHERWISE SPECIFIED, DIMENSIONS ARE FOR REFERENCE PURPOSES ONLY.

DRAWN BY:	DATE:
DANIEL CAREY	9/29/98
CHECKED BY:	DATE:
Jason Nash	08/12/08
APPROVED BY:	DATE:
JEFF MCVICCKER	10/12/98

multicomp

DRAWING TITLE:		POWER CORD WITH STRAIGHT CONNECTOR	
SIZE	DWG. NO.	ELECTRONIC FILE	REV
A	MC19668	70K8551.DWG	A
SCALE:	NTS	U.O.M.: MILLIMETERS	SHEET: 1 OF 1