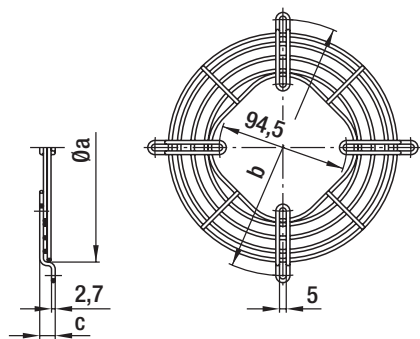


# Accessories



- **Material:** galvanised steel wire, chromatised in blue

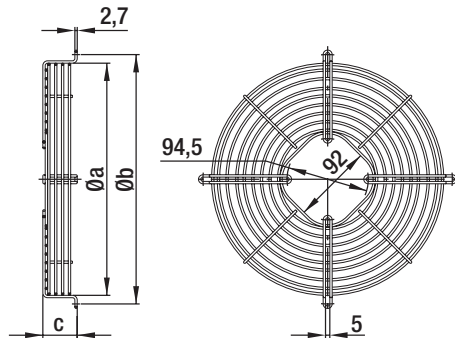
ebm-papst · Mulfingen

## Guard grilles for Q-motors and energy-saving motors (ESM)

Part no.	Size	Max. blade angle $\alpha$ with "V"	Max. blade angle $\alpha$ with "A"	a	b	c
50967-2-4039	154	34°	34°	170	190	11,5
50968-2-4039	172	34°	34°	188	208	11,5
50969-2-4039	200	34°	28°	214	236	11,5
50970-2-4039	230	28°	28°	246	266	17,5
50971-2-4039	254	28°	28°	270	290	17,5
50972-2-4039 <sup>(1)</sup>	300	---	22°	324	344	17,5

subject to alterations

<sup>(1)</sup> when using the M4Q045-EF, blade angles of up to 34° are possible



- **Material:** galvanised steel wire, chromatised in blue

ebm-papst · Mulfingen

## Basket guard grilles for Q-motors and energy-saving motors (ESM)

Part no.	Size	Max. blade angle $\alpha$ with "V"	Max. blade angle $\alpha$ with "A"	a	b	c
66309-2-4039	172	34°	34°	188	208	37,5
66310-2-4039	200	34°	28°	212	236	37,5
66311-2-4039	230	28°	28°	246	266	40,0
66312-2-4039	254	28°	28°	270	290	40,0
66313-2-4039 <sup>(1)</sup>	300	---	22°	324	344	46,8

subject to alterations

<sup>(1)</sup> when using the M4Q045-EF, blade angles of up to 34° are possible