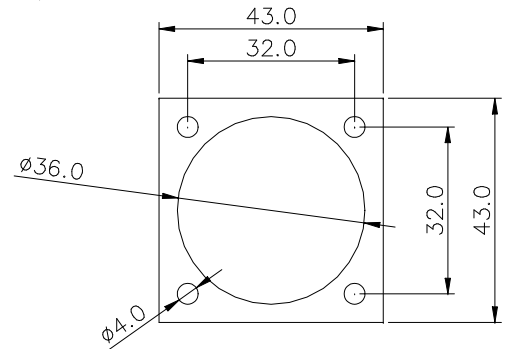
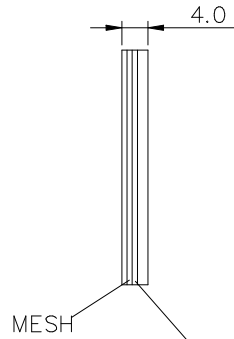
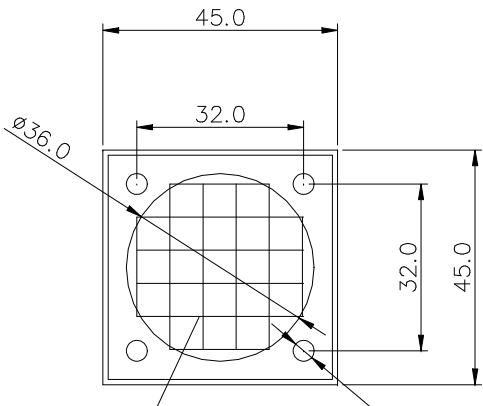


DRAWN TO BS.8888

FOR USE WITH 40mm SQUARE FANS



Note 1. Welded mesh 4 holes/inch welded around all 4 sides Minimum 2 welds/side

Note 2. Mesh to be assembled parallel to the centre-line of the front plate. Max allowable deviation 2°

DO NOT SCALE REMOVE ALL BURRS AND SHARP EDGES					<b>PAPST plc</b> TITLE PRF40 ( RFI SCREEN)	
2	25.02.04	1757	MATERIAL	SCALE		
1	20/02/02	1537	MESH 0.75mm DIA STEEL	NTS	z2002	DRG.NO. ACDR2271
REV.	DATE	MOD NO.	PLATE 0.85mm STEEL	CHKD		
DIMENSIONS IN MM U.O.S			FINISH	DRAWN	DATE	SHT OF
UNTOLERANCED DIMS:			NICKEL PLATED	PY	20/02/02	
NO DEC.PLACE ±0.5 MM				REV.	2	
1 DEC.PLACE ±0.2 MM						
2 DEC.PLACES ±0.1 MM						
ANGULAR ±0.5°						

1

2

5

6

A4