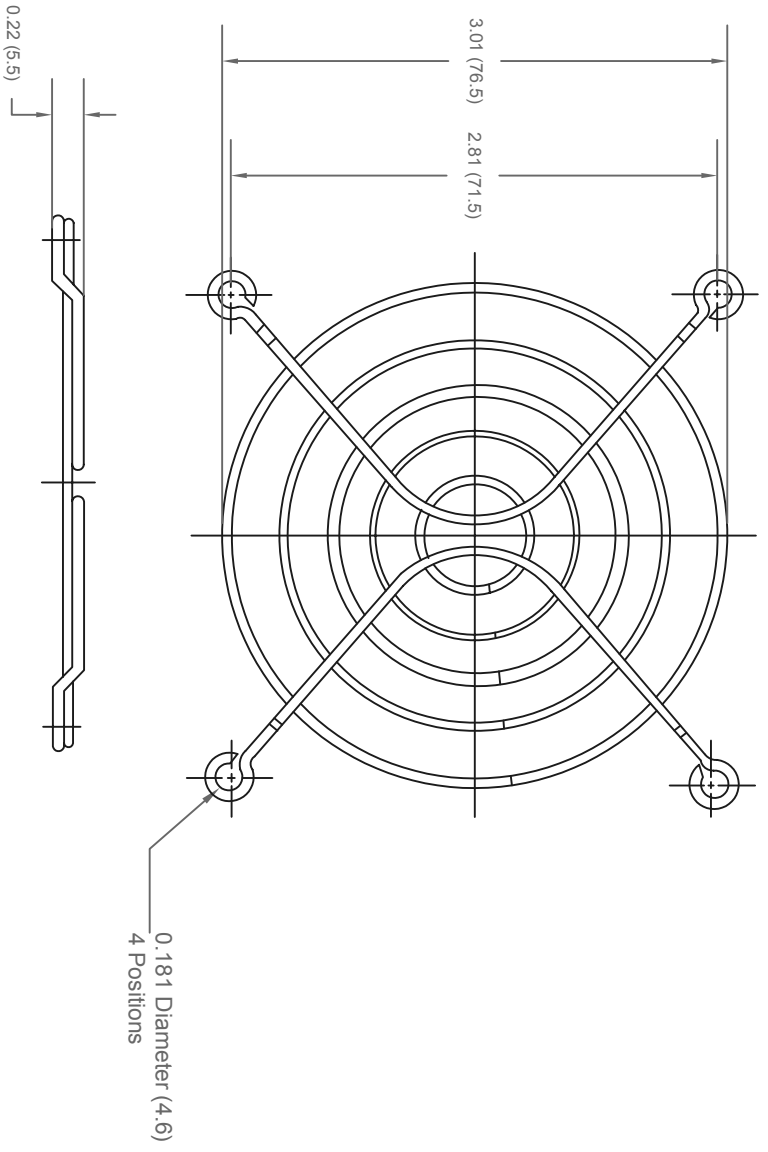
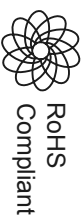


ALL RIGHTS RESERVED. NO PORTION OF THIS PUBLICATION, WHETHER IN WHOLE OR IN PART CAN BE REPRODUCED WITHOUT THE EXPRESS WRITTEN CONSENT OF SPC TECHNOLOGY.

SPC-F005.DWG

| REVISIONS |     | DCP NO.     | SPC-F005 | * Effective: | 7/8/02 | * DCP No: | 1398   |          |
|-----------|-----|-------------|----------|--------------|--------|-----------|--------|----------|
| DCP #     | REV | DESCRIPTION | DRAWN    | DATE         | CHECKD | DATE      | APPRVD | DATE     |
|           |     |             | VEE      | 19-10-10     | JAG    | 19-10-10  | XXX    | 02-11-10 |



**Notes:**  
 Material : C1008 Steel  
 Plating : Black electrodeposit plating  
 Ring Diameter : 1.8mm  
 Rib Diameter : 1.8mm

**Part Number Table**

| Description    | Part Number |
|----------------|-------------|
| Wire Fan Guard | MC32794     |

Dimensions : Inches (mm)

**DISCLAIMER:**  
 ALL STATEMENTS AND TECHNICAL INFORMATION CONTAINED HEREIN ARE BASED UPON INFORMATION AND/OR TESTS WE BELIEVE TO BE ACCURATE AND RELIABLE. SINCE CONDITIONS OF USE ARE BEYOND OUR CONTROL, THE USER SHALL DETERMINE THE SUITABILITY OF THE PRODUCT FOR THE INTENDED USE AND ASSUME ALL RISK AND LIABILITY WHATSOEVER IN CONNECTION THEREWITH.

**TOLERANCES:**  
 UNLESS OTHERWISE SPECIFIED, DIMENSIONS ARE FOR REFERENCE PURPOSES ONLY.

|                     |              |
|---------------------|--------------|
| <b>DRAWN BY:</b>    | <b>DATE:</b> |
| VEE                 | 19-10-10     |
| <b>CHECKED BY:</b>  | <b>DATE:</b> |
| JAG                 | 19-10-10     |
| <b>APPROVED BY:</b> | <b>DATE:</b> |
| XXX                 | 02-11-10     |

|                       |                 |                            |                      |
|-----------------------|-----------------|----------------------------|----------------------|
| <b>DRAWING TITLE:</b> |                 | <b>Wire Fan Guard</b>      |                      |
| <b>SIZE</b>           | <b>DWG. NO.</b> | <b>ELECTRONIC FILE</b>     | <b>REV</b>           |
| A                     | MC32794         | 56P2990                    | A                    |
| <b>SCALE:</b>         | <b>NTS</b>      | <b>U.O.M.:</b> Millimeters | <b>SHEET:</b> 1 OF 1 |