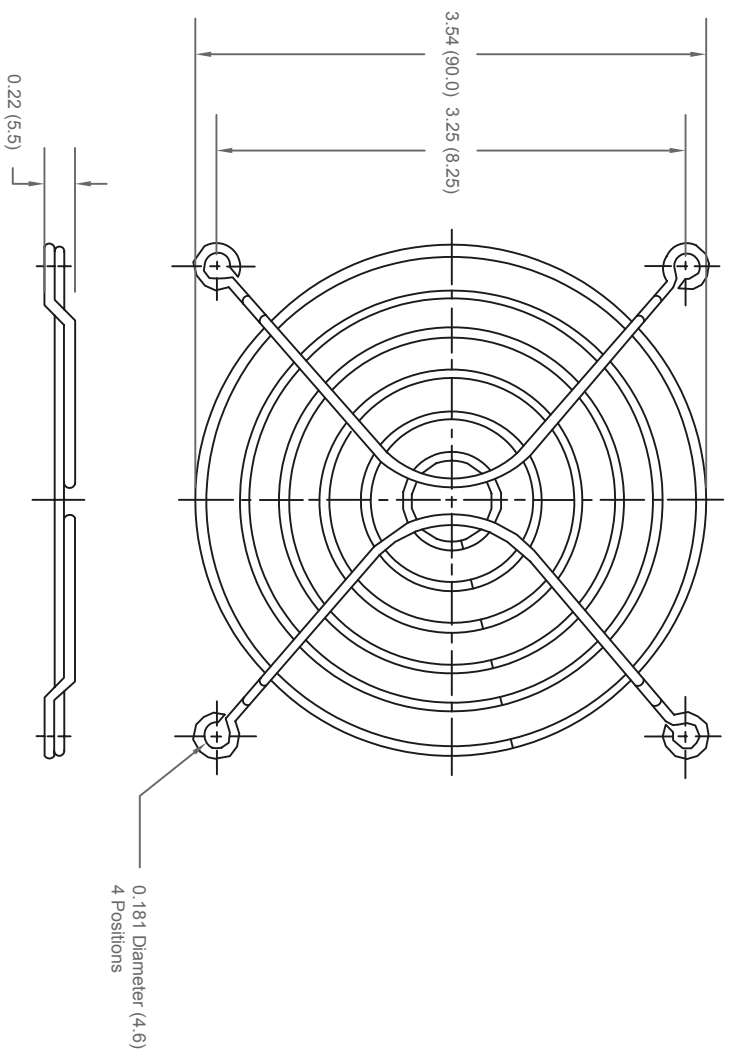
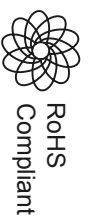


ALL RIGHTS RESERVED. NO PORTION OF THIS PUBLICATION, WHETHER IN WHOLE OR IN PART CAN BE REPRODUCED WITHOUT THE EXPRESS WRITTEN CONSENT OF SPC TECHNOLOGY.

SPC-F005.DWG

REVISIONS		DCP NO.	SPC-F005	* Effective:	7/8/02	* DCP No:	1398	
DCP #	REV	DESCRIPTION	DRAWN	DATE	CHECKD	DATE	APPRVD	DATE
			ASH	23-10-10	M/RD	23-10-10	XXX	08-11-10



- Notes:**
- Material : C1008 Steel
 - Plating : Bright nickel chrome (other plating styles are available upon request)
 - Ring diameter : 1.6mm
 - Rib diameter : 1.6mm

Part Number Table

Description	Part Number
Wire Fan Guard	MC32712

Dimensions: Inches (mm)

DISCLAIMER:
 ALL STATEMENTS AND TECHNICAL INFORMATION CONTAINED HEREIN ARE BASED UPON INFORMATION AND/OR TESTS WE BELIEVE TO BE ACCURATE AND RELIABLE. SINCE CONDITIONS OF USE ARE BEYOND OUR CONTROL, THE USER SHALL DETERMINE THE SUITABILITY OF THE PRODUCT FOR THE INTENDED USE AND ASSUME ALL RISK AND LIABILITY WHATSOEVER IN CONNECTION THEREWITH.

TOLERANCES:
 UNLESS OTHERWISE SPECIFIED, DIMENSIONS ARE FOR REFERENCE PURPOSES ONLY.

DRAWN BY:	ASH	DATE:	23-10-10
CHECKED BY:	MRD	DATE:	23-10-10
APPROVED BY:	XXX	DATE:	08-11-10

DRAWING TITLE:		Wire Fan Guard	
SIZE	A	DWG. NO.	MC32712
SCALE:	NTS	ELECTRONIC FILE	56P2988
U.O.M.:	Millimeters	SHEET:	1 OF 1