



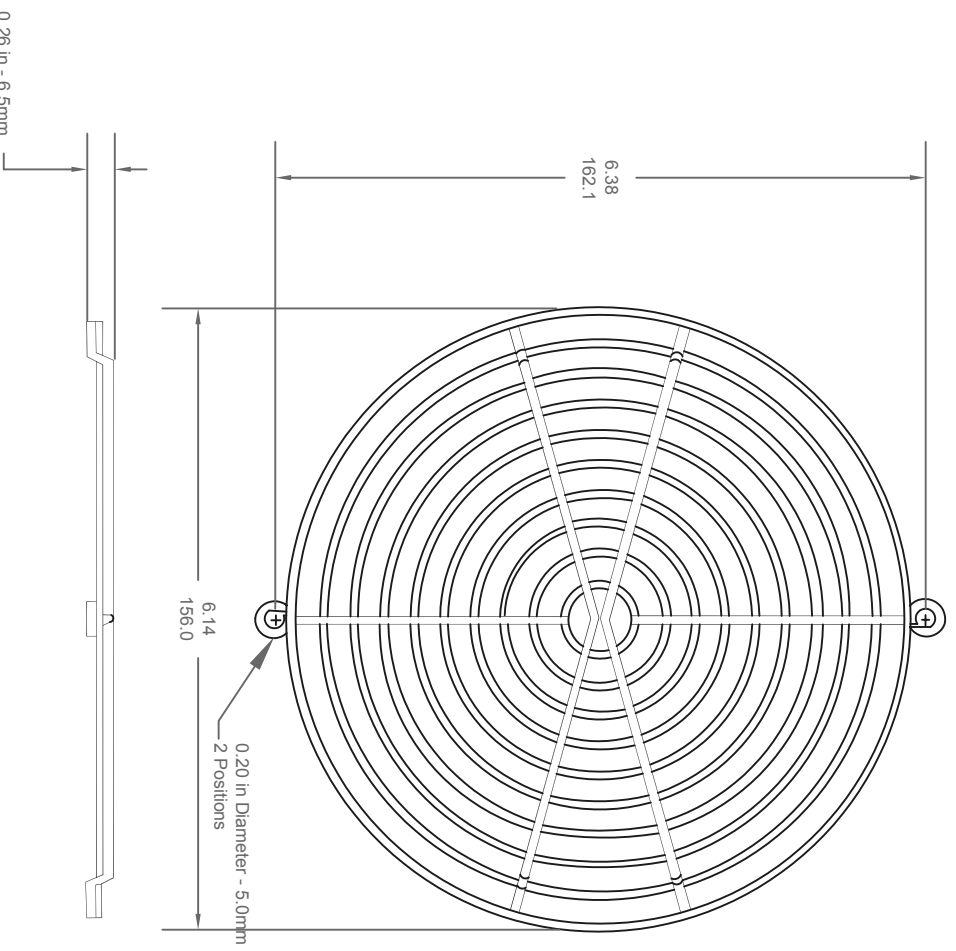
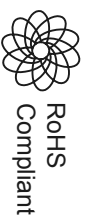
ALL RIGHTS RESERVED. NO PORTION OF THIS PUBLICATION, WHETHER IN WHOLE OR IN PART CAN BE REPRODUCED WITHOUT THE EXPRESS WRITTEN CONSENT OF SPC TECHNOLOGY.

SPC-F005.DWG

REVISIONS

DCP #	REV	DESCRIPTION	DRAWN	DATE	CHECKD	DATE	APPRVD	DATE
			VEE	21-10-10	JAG	21-10-10	XXX	04-11-10

DOC. NO. SPC-F005 * Effective: 7/8/02 * DCP No: 1398



Dimensions : inches (mm)

Notes:

- Material : C1008 steel
- Plating : Bright nickel chrome
- Ring diameter : 1.8mm
- Rib diameter : 2.3mm

Part Number Table

Description	Part Number
Wire Form Fan Guard	MC32681

TOLERANCES:

UNLESS OTHERWISE SPECIFIED, DIMENSIONS ARE FOR REFERENCE PURPOSES ONLY.

DISCLAIMER:

ALL STATEMENTS AND TECHNICAL INFORMATION CONTAINED HEREIN ARE BASED UPON INFORMATION AND/OR TESTS WE BELIEVE TO BE ACCURATE AND RELIABLE. SINCE CONDITIONS OF USE ARE BEYOND OUR CONTROL, THE USER SHALL DETERMINE THE SUITABILITY OF THE PRODUCT FOR THE INTENDED USE AND ASSUME ALL RISK AND LIABILITY WHATSOEVER IN CONNECTION THEREWITH.

DRAWING TITLE:

Wire Form Fan Guard

DRAWN BY:	VEE	DATE:	21-10-10
CHECKED BY:	JAG	DATE:	21-10-10
APPROVED BY:	XXX	DATE:	04-11-10

SIZE	DWG. NO.	ELECTRONIC FILE	REV
A	MC32681	56P2957	A
SCALE:	NTS	U.O.M.: Millimeters	SHEET: 1 OF 1