

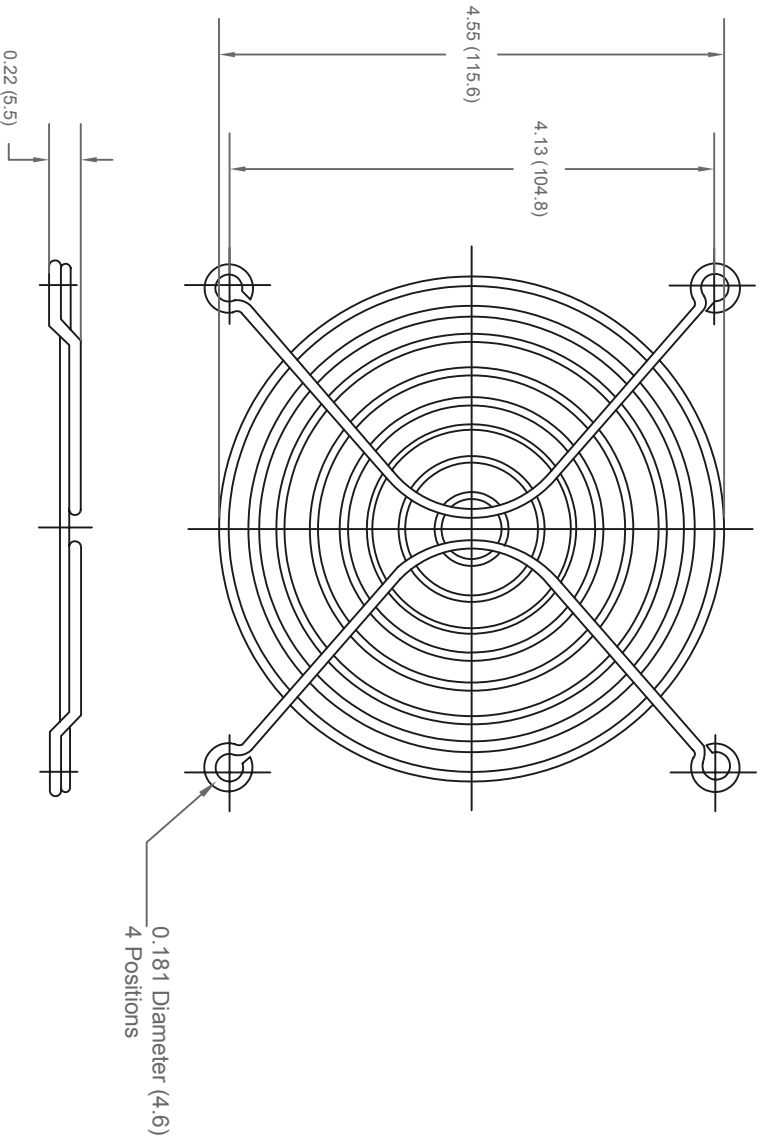
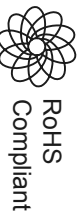
ALL RIGHTS RESERVED. NO PORTION OF THIS PUBLICATION, WHETHER IN WHOLE OR IN PART CAN BE REPRODUCED WITHOUT THE EXPRESS WRITTEN CONSENT OF SPC TECHNOLOGY.

SPC-F005.DWG

## REVISIONS

DCP #	REV	DESCRIPTION	DRAWN	DATE	CHECKD	DATE	APPRVD	DATE
			JAG	19-10-10	M/RD	19-10-10	XXX	02-11-10

DOC. NO. SPC-F005 \* Effective: 7/8/02 \* DCP No: 1398



### Notes:

Material : C1008 Steel  
 Plating : Polyurethane Foam UL94HF-1 45PP1  
 Ring Diameter : 1.8mm  
 Rib Diameter : 1.8mm

### Part Number Table

Description	Part Number
Wire Fan Guard	MC32668

Dimensions : Inches (mm)

### TOLERANCES:

DISCLAIMER:  
 ALL STATEMENTS AND TECHNICAL INFORMATION CONTAINED HEREIN ARE BASED UPON INFORMATION AND/OR TESTS WE BELIEVE TO BE ACCURATE AND RELIABLE. SINCE CONDITIONS OF USE ARE BEYOND OUR CONTROL, THE USER SHALL DETERMINE THE SUITABILITY OF THE PRODUCT FOR THE INTENDED USE AND ASSUME ALL RISK AND LIABILITY WHATSOEVER IN CONNECTION THEREWITH.

DRAWN BY: JAG

DATE: 19-10-10

DRAWING TITLE: Wire Fan Guard

SIZE: A

CHECKED BY: MRD

DATE: 19-10-10

DWG. NO. MC32668

ELECTRONIC FILE: 56P2945

APPROVED BY: XXX

DATE: 02-11-10

XXX

02-11-10

SCALE: NTS

U.O.M.: Millimeters

SHEET: 1

OF 1