

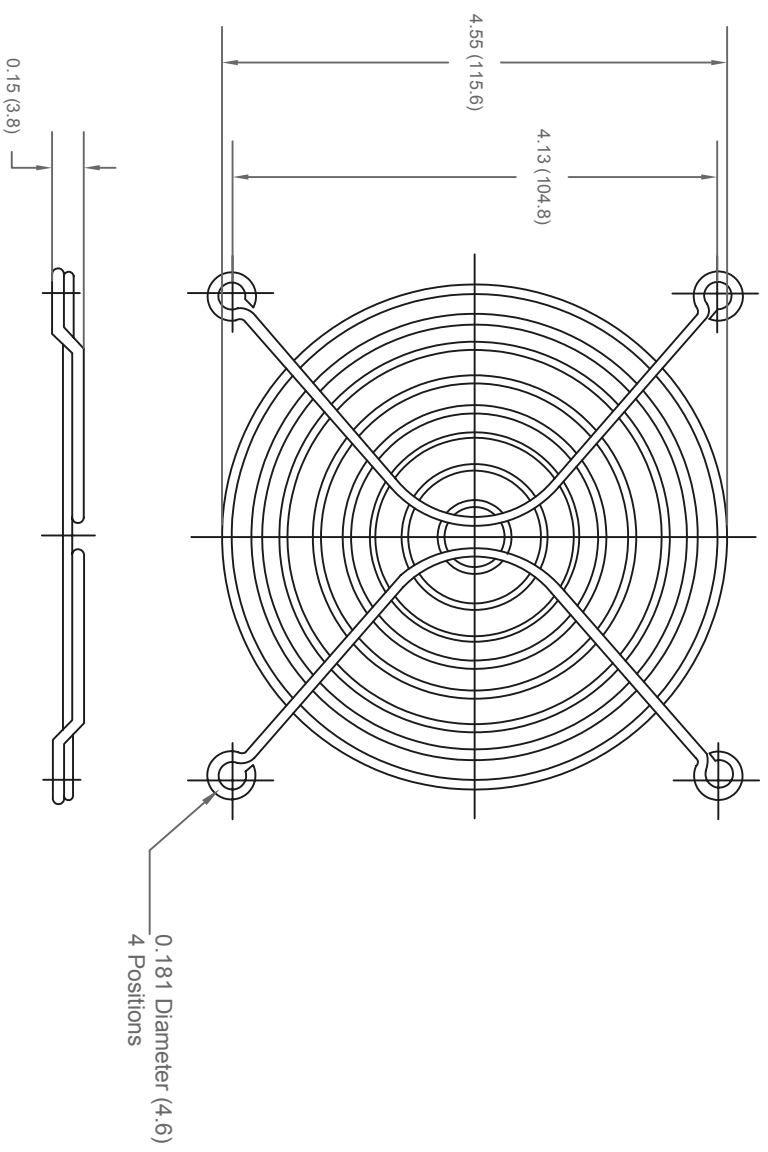
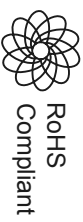
ALL RIGHTS RESERVED. NO PORTION OF THIS PUBLICATION, WHETHER IN WHOLE OR IN PART CAN BE REPRODUCED WITHOUT THE EXPRESS WRITTEN CONSENT OF SPC TECHNOLOGY.

SPC-F005.DWG

REVISIONS

DCP #	REV	DESCRIPTION	DRAWN	DATE	CHECKD	DATE	APPRVD	DATE
			JAG	19-10-10	M/RD	19-10-10	XXX	02-11-10

DOC. NO. SPC-F005 * Effective: 7/8/02 * DCP No: 1398



0.181 Diameter (4.6)
4 Positions

Notes:

- Material : C1008 Steel
- Plating : Polyurethane Foam UL94HF-1 45PP1
- Ring Diameter : 1.8mm
- Rib Diameter : 1.8mm

Part Number Table

Description	Part Number
Wire Fan Guard	MC32666

Dimensions : Inches (mm)

TOLERANCES:

UNLESS OTHERWISE SPECIFIED, DIMENSIONS ARE FOR REFERENCE PURPOSES ONLY.

DISCLAIMER:

ALL STATEMENTS AND TECHNICAL INFORMATION CONTAINED HEREIN ARE BASED UPON INFORMATION AND/OR TESTS WE BELIEVE TO BE ACCURATE AND RELIABLE. SINCE CONDITIONS OF USE ARE BEYOND OUR CONTROL, THE USER SHALL DETERMINE THE SUITABILITY OF THE PRODUCT FOR THE INTENDED USE AND ASSUME ALL RISK AND LIABILITY WHATSOEVER IN CONNECTION THEREWITH.

DRAWING TITLE:

Wire Fan Guard

DRAWN BY:	JAG	DATE:	19-10-10
CHECKED BY:	MRD	DATE:	19-10-10
APPROVED BY:	XXX	DATE:	02-11-10

SIZE	DWG. NO.	ELECTRONIC FILE	REV
A	MC32666	56P2943	A
SCALE:	NTS	U.O.M.: Millimeters	SHEET: 1 OF 1