

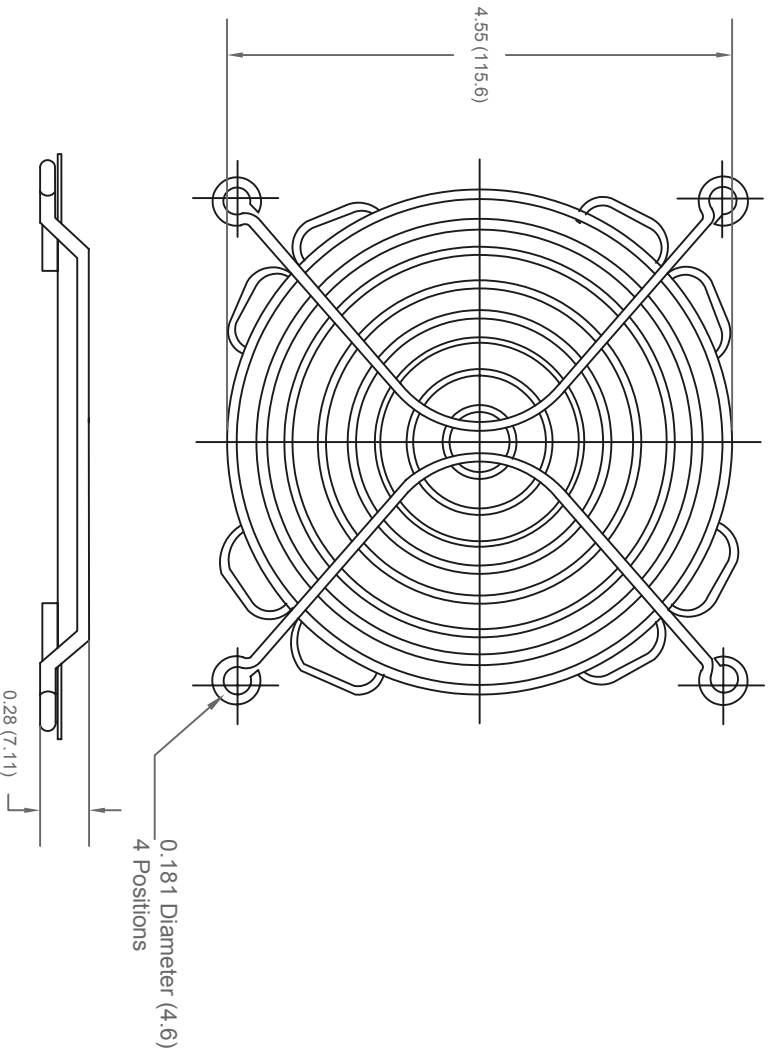
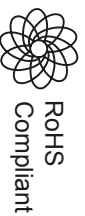
ALL RIGHTS RESERVED. NO PORTION OF THIS PUBLICATION, WHETHER IN WHOLE OR IN PART CAN BE REPRODUCED WITHOUT THE EXPRESS WRITTEN CONSENT OF SPC TECHNOLOGY.

SPC-F005.DWG

REVISIONS

DCP #	REV	DESCRIPTION	DRAWN	DATE	CHECKD	DATE	APPRVD	DATE
			JAG	19-10-10	M/RD	19-10-10	XXX	02-11-10

DOC. NO. SPC-F005 * Effective: 7/8/02 * DCP No: 1398



0.181 Diameter (4.6)
4 Positions

0.28 (7.11)

Notes:

Material : C1008 Steel
Plating : Bright Nickel Chrome
Ring Diameter : 1.8mm
Rib Diameter : 2.0mm

Part Number Table

Description	Part Number
Wire Form Fan Guard	MC32664

Dimensions : Inches (mm)

TOLERANCES:

DISCLAIMER:
ALL STATEMENTS AND TECHNICAL INFORMATION CONTAINED HEREIN ARE BASED UPON INFORMATION AND/OR TESTS WE BELIEVE TO BE ACCURATE AND RELIABLE. SINCE CONDITIONS OF USE ARE BEYOND OUR CONTROL, THE USER SHALL DETERMINE THE SUITABILITY OF THE PRODUCT FOR THE INTENDED USE AND ASSUME ALL RISK AND LIABILITY WHATSOEVER IN CONNECTION THEREWITH.

UNLESS OTHERWISE SPECIFIED, DIMENSIONS ARE FOR REFERENCE PURPOSES ONLY.

DRAWN BY:	DATE:
JAG	19-10-10
CHECKED BY:	DATE:
M/RD	19-10-10
APPROVED BY:	DATE:
XXX	02-11-10

DRAWING TITLE:

Wire Form Fan Guard

SIZE	DWG. NO.	ELECTRONIC FILE	REV
A	MC32664	56P2941	A
SCALE:	NTS	U.O.M.: Millimeters	SHEET: 1 OF 1