

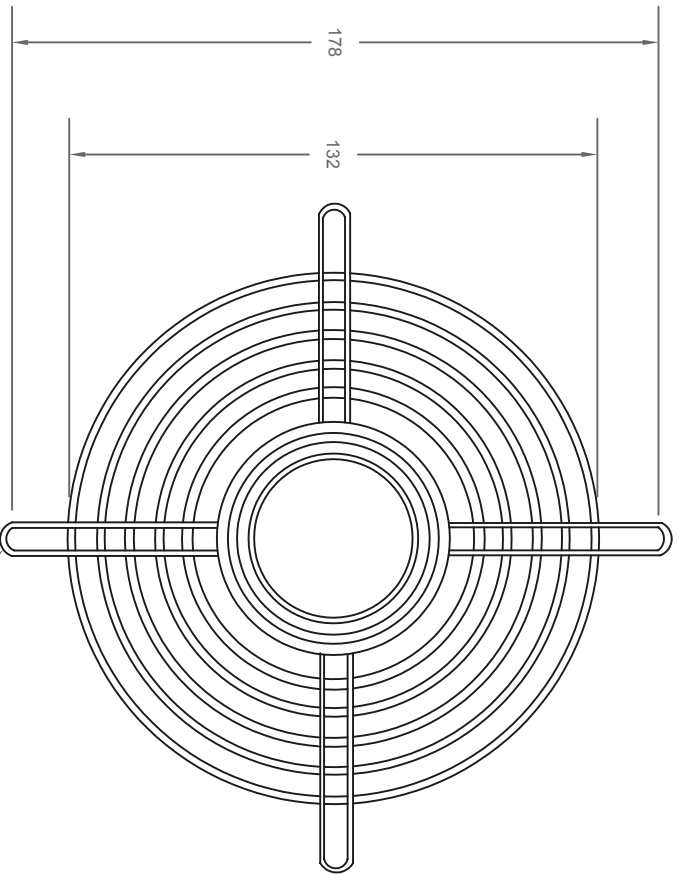
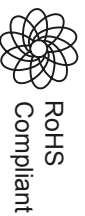
ALL RIGHTS RESERVED. NO PORTION OF THIS PUBLICATION, WHETHER IN WHOLE OR IN PART CAN BE REPRODUCED WITHOUT THE EXPRESS WRITTEN CONSENT OF SPC TECHNOLOGY.

SPC-F005.DWG

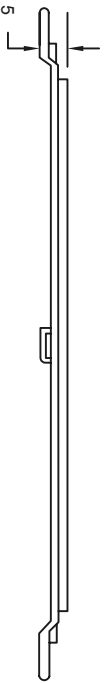
REVISIONS

DCP #	REV	DESCRIPTION	DRAWN	DATE	CHECKD	DATE	APPRVD	DATE
			ASH	25-10-10	JAG	25-10-10	XXX	02-11-10

DOC. NO. SPC-F005 * Effective: 7/8/02 * DCP No.: 1398



Dimensions : mm



Notes:

Material : C1008 Steel
 Plating : Bright Nickel Chrome
 Ring Diameter : 1.4mm
 Rib Diameter : 1.4mm

Part Number Table

Description	Part Number
Wire Fan Guard	MC32654

TOLERANCES:

UNLESS OTHERWISE SPECIFIED, DIMENSIONS ARE FOR REFERENCE PURPOSES ONLY.

DRAWN BY:

ASH

DATE:

25-10-10

CHECKED BY:

JAG

DATE:

25-10-10

APPROVED BY:

XXX

DATE:

02-11-10

DRAWING TITLE:

Wire Fan Guard

SIZE:

A

DWG. NO.:

MC32654

ELECTRONIC FILE:

56P2931

REV:

A

SCALE:

NTS

U.O.M.: Millimeters

SHEET:

1

OF:

1

DISCLAIMER: ALL STATEMENTS AND TECHNICAL INFORMATION CONTAINED HEREIN ARE BASED UPON INFORMATION AND/OR TESTS WE BELIEVE TO BE ACCURATE AND RELIABLE. SINCE CONDITIONS OF USE ARE BEYOND OUR CONTROL, THE USER SHALL DETERMINE THE SUITABILITY OF THE PRODUCT FOR THE INTENDED USE AND ASSUME ALL RISK AND LIABILITY WHATSOEVER IN CONNECTION THEREWITH.

UNLESS OTHERWISE SPECIFIED, DIMENSIONS ARE FOR REFERENCE PURPOSES ONLY.

ASH

25-10-10

JAG

25-10-10

XXX

02-11-10

A

MC32654

56P2931

A

NTS

1

1