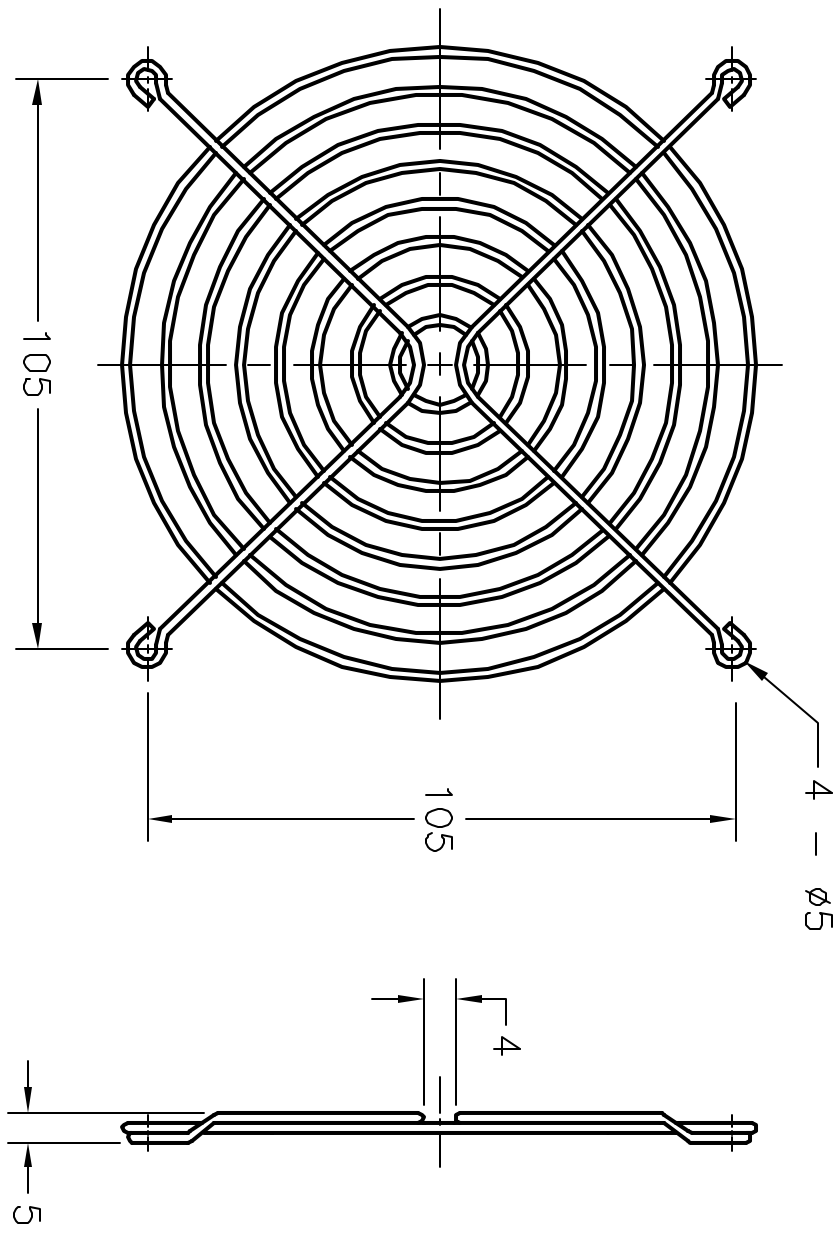
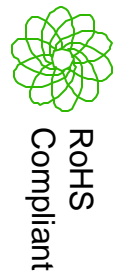


© COPYRIGHT 1998 BY SPC TECHNOLOGY. ALL RIGHTS RESERVED. NO PORTION OF THIS PUBLICATION, WHETHER IN WHOLE OR IN PART CAN BE REPRODUCED WITHOUT THE EXPRESS WRITTEN CONSENT OF SPC TECHNOLOGY.

REVISIONS		DOC. NO.	SPC-F005, Total Pages:	2				
DCP #	REV	DESCRIPTION	DRAWN	DATE	CHECKED	DATE	APPRVD	DATE
573	A	RELEASED	DJC	9/29/98	JIN	08/12/08	JWM	10/12/98



DISCLAIMER:
 ALL STATEMENTS AND TECHNICAL INFORMATION CONTAINED HEREIN ARE BASED UPON INFORMATION AND/OR TESTS WE BELIEVE TO BE ACCURATE AND RELIABLE. SINCE CONDITIONS OF USE ARE BEYOND OUR CONTROL, THE USER SHALL DETERMINE THE SUITABILITY OF THE PRODUCT FOR THE INTENDED USE AND ASSUME ALL RISK AND LIABILITY WHATSOEVER IN CONNECTION THEREWITH.

UNLESS OTHERWISE SPECIFIED, DIMENSIONS ARE FOR REFERENCE PURPOSES ONLY.

DRAWN BY:	DATE:	DRAWING TITLE:	
DANIEL CAREY	9/29/98	METAL WIRE FAN GUARD	
CHECKED BY:	DATE:	SIZE	DWG. NO.
Jason Nash	08/12/08	A	MC19667
APPROVED BY:	DATE:	SCALE:	U.O.M.: MILLIMETERS
JEFF MCVICKER	10/12/98	NTS	

SPC-F005.DWG

