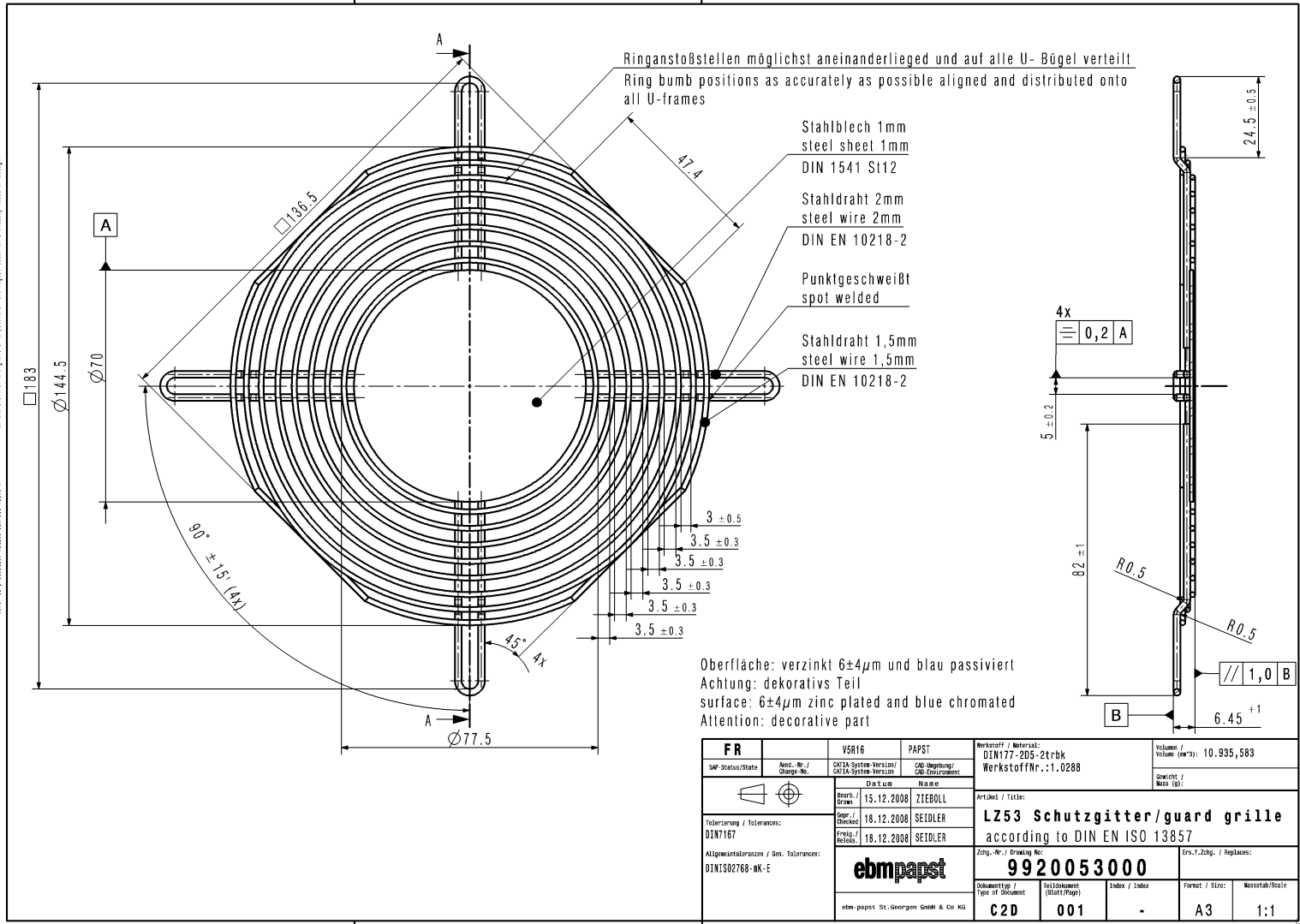


Copies of this document are given to others and the use or communication of the contents thereof, are
 forbidden without express authority. Owners are liable to the extent of damages. All rights are reserved.
 In the form of the parts of a patent or the registration of a utility model or design.

Reproduktion nach DIN 259 10/12, Ausgabe 1
 Refer to protection under DIN 259 10/12, 10/12



Oberfläche: verzinkt 6±4µm und blau passiviert
 Achtung: dekoratives Teil
 surface: 6±4µm zinc plated and blue chromated
 Attention: decorative part

FR	VSR16	PAPST	Werkstoff / Material: DIN177-205-2trbk Werkstoffnr.:1.0288	Volume / volume (cm³): 10.935,583	
SW-Status/State	Art.-Nr. / Order-No.	DATE-System-Version/ DATE-System-Version	SW-Begebung/ CAD-Environment	Stanz- / Mass (g):	
		Datum	Name	Artikel / Title:	
		Bearb. / Drawn	15.12.2008	ZIEBOLL	LZ53 Schutzgitter/guard grille according to DIN EN ISO 13857
		Supp. / Checked	18.12.2008	SEIDLER	
Tolerierung / Tolerances: DIN7167		Freigeb. / Released	18.12.2008	SEIDLER	Zug.-Nr. / Drawing No: 9920053000
Allgemeintoleranzen / Gen. Tolerances: DINISO2768-mK-E	ebmpapst		Druck- / Type of Document	Blatt / Page	Index / Index
	ebm-papst St. Georgen GmbH & Co KG		C2D	001	Format / Size: A3
					Maßstab/Scale: 1:1

Vertraulich / Confidential Information 20.01.2009 PDF-Datei erzeugt am 18.12.2008