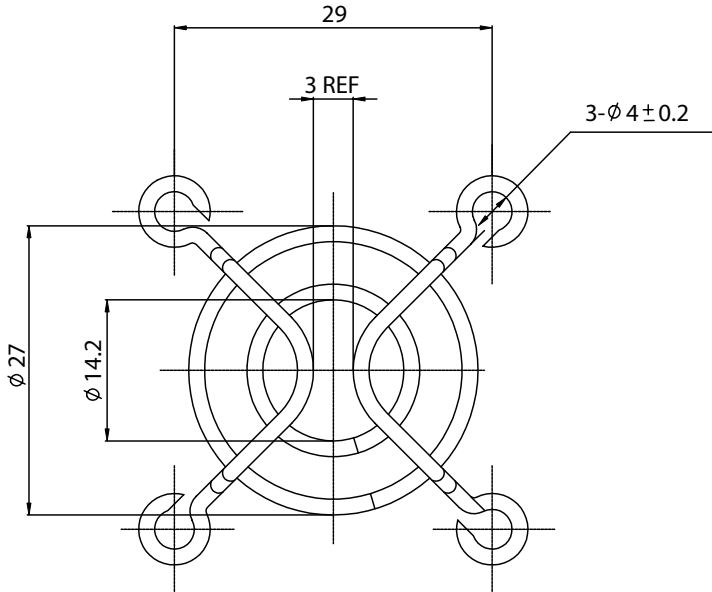
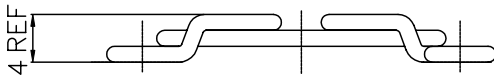


Revision			
Rev.	Description	Date	Approved



Notes:

1. MATERIAL: C1008 BRIGHT BASIC WIRE
2. FINISH: BRIGHT NICKEL CHROME
3. (1) RINGS ARE  $\phi 1.6 \pm 0.5$  mm  
(2) RINGS ARE  $\phi 1.6 \pm 0.5$  mm
4. WELD JOINTS TO WITHSTAND 88 LBS. PULL FORCE
5. GENERAL TOLERANCE UNLESS NOTED:  $\pm 0.5$  mm
6. UNIT: mm



Dim range (mm)	Tolerance +/- (mm)	Qualtek Electronics Corp. FAN-S DIVISION		
		Part Number: 08347		<b>RoHS Compliant</b>
0-1	0.15	Description: WIRE FORM FAN GUARD (35mm)		
1-6	0.20	Unit: mm		
6-18	0.30	Rev A		
18-50	0.50	Drawn/Date	Checked/Date	Approved/Date
50-120	0.70	03/02/06	03/02/06	03/02/06
120-250	0.90			
250-500	1.20			