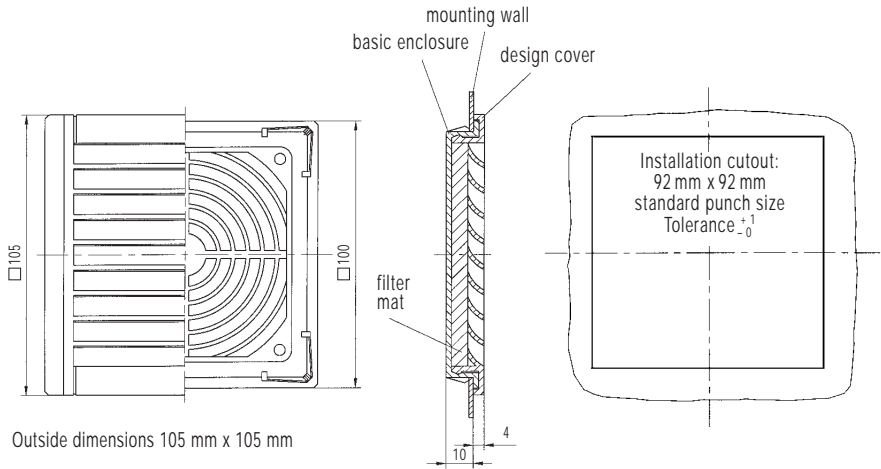
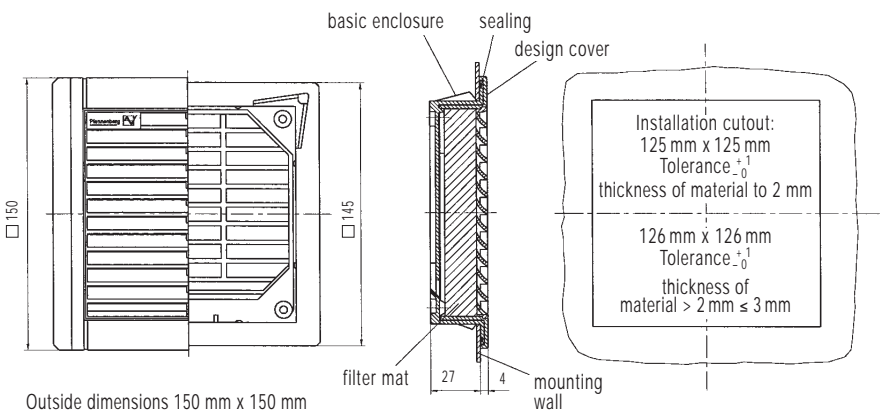


Exhaust Filters – Model PFA

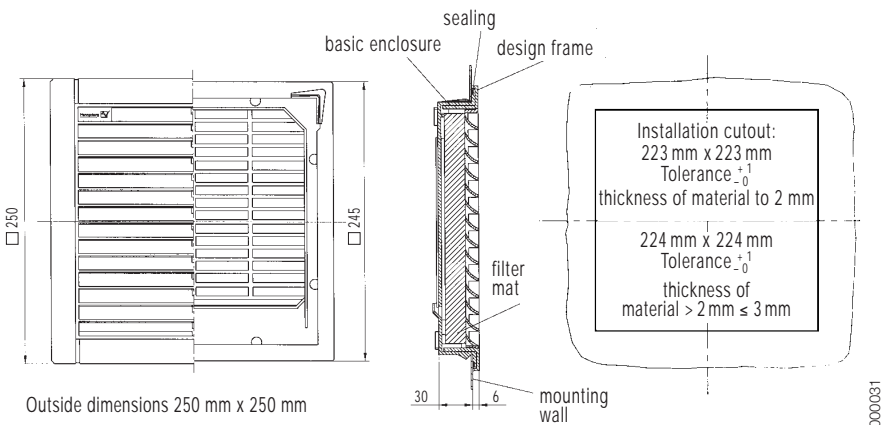
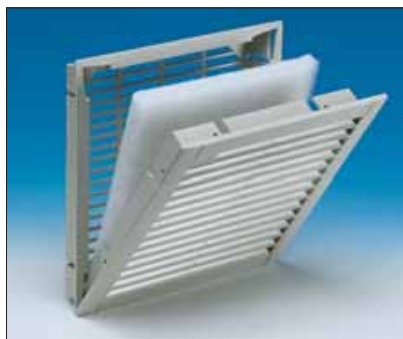
PFA 1.000



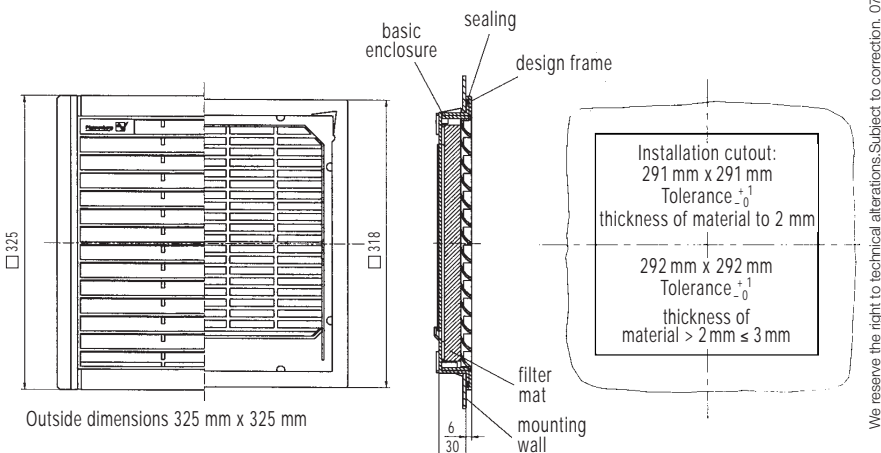
PFA 2.000



PFA 2.500/3.000



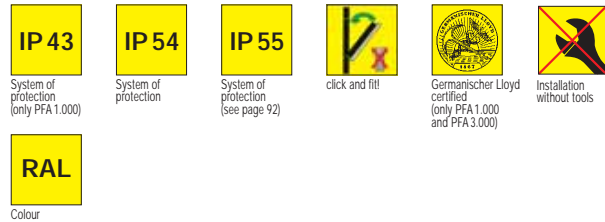
PFA 5.000/6.000/7.000



We reserve the right to technical alterations. Subject to correction. 075000081

„ ... click and fit!“

- same design as the Filterfans® PF-Series
- Pfannenberg developed and patented snap-fastening “...click and fit”
- for door mounting in accordance with VDE 0113 (EN 60204) without screws
- easy filter exchange during use
- with integrated foamed on seal (from size PF 2.000)



Airflow data:	PFA 1.000	PFA 2.000	PFA 3.000	PFA 6.000
Filter material	150 g/m ² *)	150 g/m ² *)		
Filtration efficiency	73%	73%		
Filter material grade (DIN EN 779)	G 2	G 2		

*) standard filter mat 150 g/m² (alternative filter mat in 350 g/m², 500 g/m²)

Technical data:	PFA 1.000	PFA 2.000	PFA 3.000	PFA 6.000
Outside dimensions in mm (Height x Width x Installation depth)	105 x 105 x 10	150 x 150 x 27	250 x 250 x 30	325 x 325 x 30
Material	(PC-FR)	sprayed thermoplastic, self-extinguishing, UL 94 VO		(ABS-FR)
Weight	0,050 kg	0,126 kg	0,460 kg	0,755 kg
Colour	RAL 7035, RAL 7032 or black, other colours on request			

Supplementary data:	PFA 1.000	PFA 2.000	PFA 3.000	PFA 6.000
Climatic data				
Operating temperature	-20 °C (-4 °F) to +70 °C (+158 °F)			
Storage temperature	-20 °C (-4 °F) to +70 °C (+158 °F)			
Max. relative humidity	90%			
System of protection	IP 43	IP 54		
Basic parts kit	standard filter, mounting- and user manual			
Accessories	radiant heater, fan heater, thermostat, see Thermal Management			
Approvals	PF 1.000 Germanischer Lloyd (GL), PF 3.000 Germanischer Lloyd (GL) UL approval see overview filter fans			

We reserve the right to technical alterations. Subject to correction. 075000031