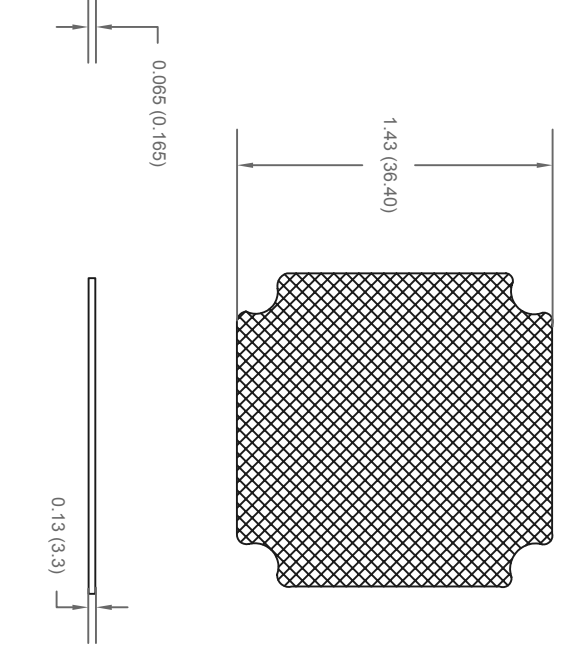
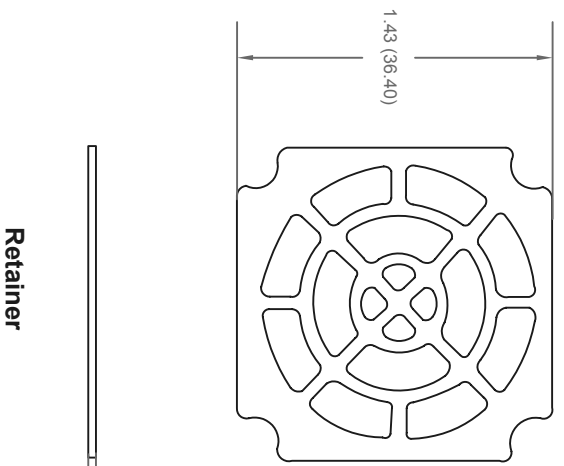
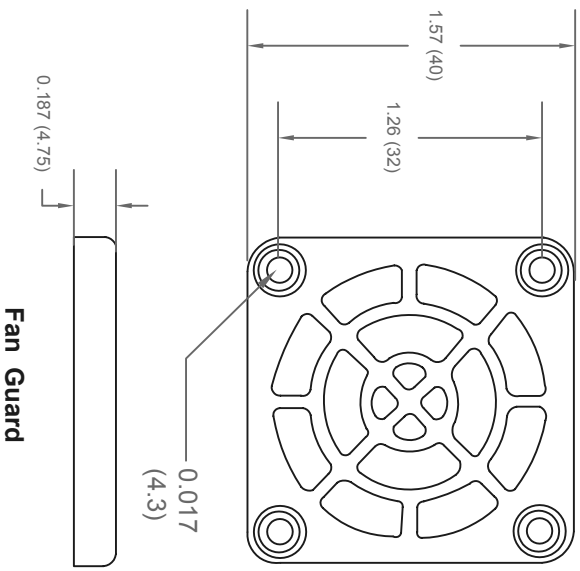
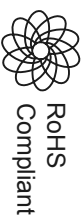


ALL RIGHTS RESERVED. NO PORTION OF THIS PUBLICATION, WHETHER IN WHOLE OR IN PART CAN BE REPRODUCED WITHOUT THE EXPRESS WRITTEN CONSENT OF SPC TECHNOLOGY.

SPC-F005.DWG

REVISIONS		DCP NO.	SPC-F005	* Effective:	7/8/02	* DCP No:	1398		
DCP #	REV	DESCRIPTION		DRAWN	DATE	CHECKD	DATE	APPRVD	DATE
		JAG	19-10-10	M/RD	19-10-10	XXX	02-11-10		



Dimensions : Inches (mm)

DISCLAIMER:

ALL STATEMENTS AND TECHNICAL INFORMATION CONTAINED HEREIN ARE BASED UPON INFORMATION AND/OR TESTS WE BELIEVE TO BE ACCURATE AND RELIABLE. SINCE CONDITIONS OF USE ARE BEYOND OUR CONTROL, THE USER SHALL DETERMINE THE SUITABILITY OF THE PRODUCT FOR THE INTENDED USE AND ASSUME ALL RISK AND LIABILITY WHATSOEVER IN CONNECTION THEREWITH.

TOLERANCES:

UNLESS OTHERWISE SPECIFIED, DIMENSIONS ARE FOR REFERENCE PURPOSES ONLY.

DRAWN BY:	JAG	DATE:	19-10-10
CHECKED BY:	M/RD	DATE:	19-10-10
APPROVED BY:	XXX	DATE:	02-11-10

DRAWING TITLE:		Plastic Fan Filter Assembly	
SIZE:	A	DWG. NO.:	MC32688
SCALE:	NTS	ELECTRONIC FILE:	56P2964
SHEET:	1	OF:	1

Notes:

Material : Plastic UL94-V0
Media : Polyurethane Foam UL94HF-1 45PP1

Part Number Table

Description	Part Number
Plastic Fan Filter Assembly	MC32688