

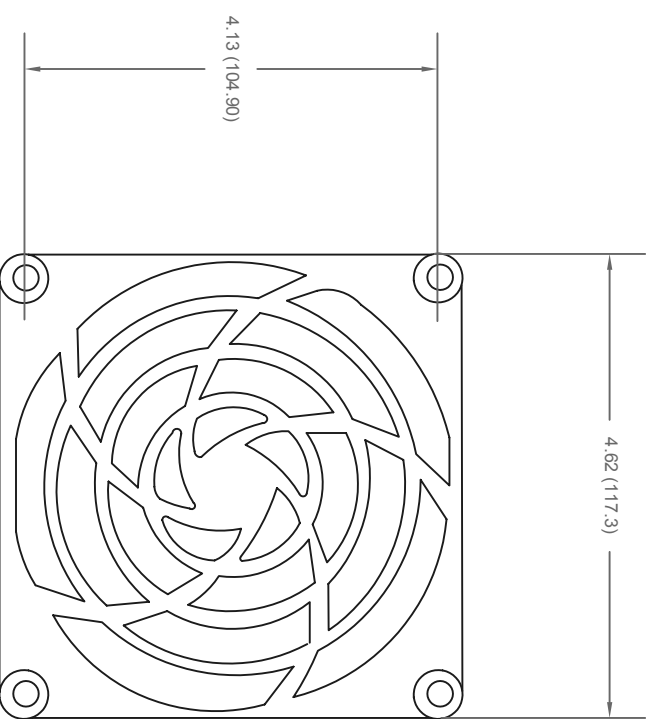
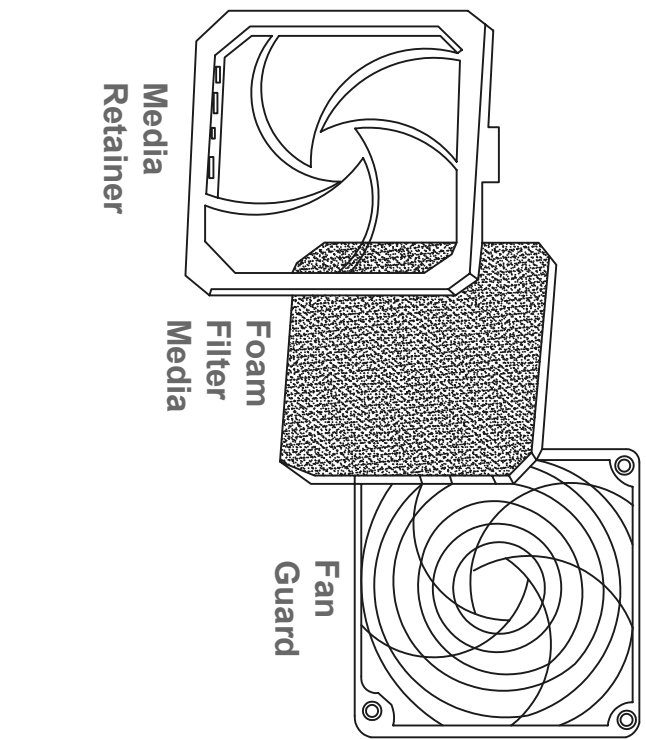
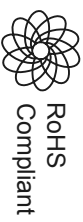
ALL RIGHTS RESERVED. NO PORTION OF THIS PUBLICATION, WHETHER IN WHOLE OR IN PART CAN BE REPRODUCED WITHOUT THE EXPRESS WRITTEN CONSENT OF SPC TECHNOLOGY.

SPC-F005.DWG

### REVISIONS

DCP #	REV	DESCRIPTION	DRAWN	DATE	CHECKD	DATE	APPRVD	DATE
			JAG	19-10-10	M/RD	19-10-10	XXX	02-11-10

DOC. NO. SPC-F005 \* Effective: 7/8/02 \* DCP No: 1398



#### Notes:

Material : UL94-VO Products  
Media : Polyurethane Foam UL94HF-1.30PP1

#### Part Number Table

Description	Part Number
Filter Assembly	MC32660

Dimensions : Inches (mm)

#### DISCLAIMER:

ALL STATEMENTS AND TECHNICAL INFORMATION CONTAINED HEREIN ARE BASED UPON INFORMATION AND/OR TESTS WE BELIEVE TO BE ACCURATE AND RELIABLE. SINCE CONDITIONS OF USE ARE BEYOND OUR CONTROL, THE USER SHALL DETERMINE THE SUITABILITY OF THE PRODUCT FOR THE INTENDED USE AND ASSUME ALL RISK AND LIABILITY WHATSOEVER IN CONNECTION THEREWITH.

#### TOLERANCES:

UNLESS OTHERWISE SPECIFIED, DIMENSIONS ARE FOR REFERENCE PURPOSES ONLY.

DRAWN BY:	DATE:
JAG	19-10-10
CHECKED BY:	DATE:
M/RD	19-10-10
APPROVED BY:	DATE:
XXX	02-11-10

#### DRAWING TITLE:

**Filter Assembly**

SIZE	DWG. NO.	ELECTRONIC FILE	REV
A	MC32660	56P2937	A
SCALE:	U.O.M.:	SHEET:	OF
NTS	Millimeters	1	1