

## Hinged-Cover Type 1 Boxes and Enclosures and Accessories

### Small, Type 1



#### Industry Standards

UL 50, 50E Listed; Type 1; File No. E27567  
cUL Listed per CSA C22.2 No 40; Type 1; File No. E27567

NEMA/EEMAC Type 1  
CSA, File 42184: Type 1  
IEC 60529, IP30

#### Application

These enclosures have a size range of 6 x 6 x 4-in. to 14 x 12 x 8-in. and meet basic functionality requirements for applications that do not require oil- or dust-tight enclosures.

#### Features

- Flush slotted latch operated with a screwdriver; optional latches available
- Weldnuts provided for mounting optional panels
- Butt hinges
- Mounting holes on back of enclosure

#### Specifications

- 16 gauge steel

#### Finish

ANSI 61 gray polyester powder paint finish inside and out over pretreated surfaces. Optional solid panels are white and optional perforated panels are gray.

#### Accessories

See also Accessories.

T-Handle Latch and Keyed Cylinder Lock Kits  
Grounding Device

Panels for Type 1 Enclosures and Small Type 3R Enclosures

T-Handle Latch and Keyed Cylinder Lock Kits

Touch-Up Paint

Steel and Stainless Steel Window Kits

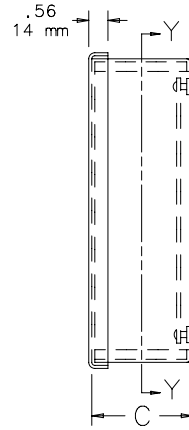
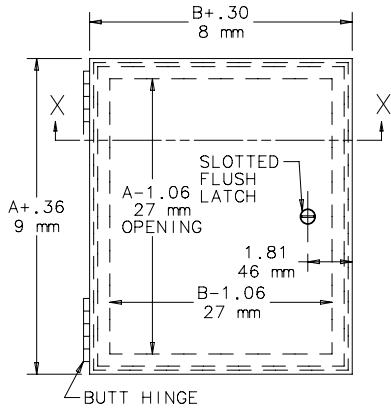
Bulletin: A1SM

#### Standard Product

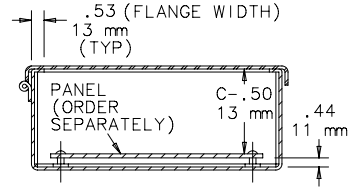
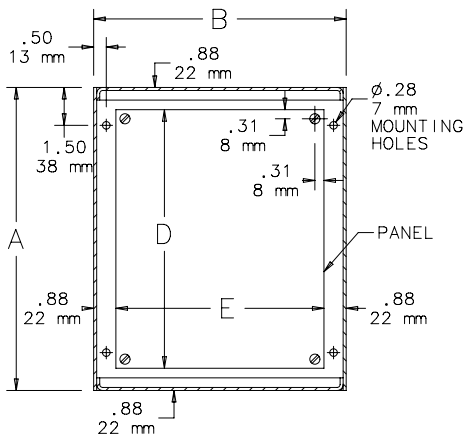
Catalog Number	AxBxC in./mm	Panel	Perforated Panel	Panel Size D x E in./mm
A6N64	6.00 x 6.00 x 4.00	A6N6P	A6N6PP	4.25 x 4.25
	152 x 152 x 102			108 x 108
A8N64	8.00 x 6.00 x 4.00	A8N6P	A8N6PP	6.25 x 4.25
	203 x 152 x 102			159 x 108
A8N84	8.00 x 8.00 x 4.00	A8N8P	A8N8PP	6.25 x 6.25
	203 x 203 x 102			159 x 159
A10N84	10.00 x 8.00 x 4.00	A10N8P	A10N8PP	8.25 x 6.25
	254 x 203 x 102			210 x 159
A10N104	10.00 x 10.00 x 4.00	A10N10P	A10N10PP	8.25 x 8.25
	254 x 254 x 102			210 x 210
A12N104	12.00 x 10.00 x 4.00	A12N10P	A12N10PP	10.25 x 8.25
	305 x 254 x 102			260 x 210
A12N124	12.00 x 12.00 x 4.00	A12N12P	A12N12PP	10.25 x 10.25
	305 x 305 x 102			260 x 260
A14N124	14.00 x 12.00 x 4.00	A14N12P	A14N12PP	12.25 x 10.25
	356 x 305 x 102			311 x 260
A8N66	8.00 x 6.00 x 6.00	A8N6P	A8N6PP	6.25 x 4.25
	203 x 152 x 152			159 x 108
A8N86	8.00 x 8.00 x 6.00	A8N8P	A8N8PP	6.25 x 6.25
	203 x 203 x 152			159 x 159
A10N86	10.00 x 8.00 x 6.00	A10N8P	A10N8PP	8.25 x 6.25
	254 x 203 x 152			210 x 159
A10N106	10.00 x 10.00 x 6.00	A10N10P	A10N10PP	8.25 x 8.25
	254 x 254 x 152			210 x 210
A12N106	12.00 x 10.00 x 6.00	A12N10P	A12N10PP	10.25 x 8.25
	305 x 254 x 152			260 x 210
A12N126	12.00 x 12.00 x 6.00	A12N12P	A12N12PP	10.25 x 10.25
	305 x 305 x 152			260 x 260
A14N126	14.00 x 12.00 x 6.00	A14N12P	A14N12PP	12.25 x 10.25
	356 x 305 x 152			311 x 260
A16N126	16.00 x 12.00 x 6.00	A16N12P	A16N12PP	14.25 x 10.25
	406 x 305 x 152			362 x 260
A20N126	20.00 x 12.00 x 6.00	A20N12P	A20N12PP	18.25 x 10.25
	508 x 305 x 152			464 x 260
A12N128	12.00 x 12.00 x 8.00	A12N12P	A12N12PP	10.25 x 10.25
	305 x 305 x 203			260 x 260
A14N128	14.00 x 12.00 x 8.00	A14N12P	A14N12PP	12.25 x 10.25
	356 x 305 x 203			311 x 260

Purchase panels separately.

# Hinged-Cover Type 1 Boxes and Enclosures and Accessories



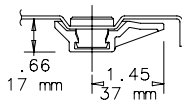
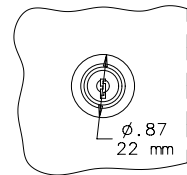
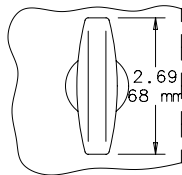
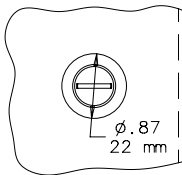
NOTE: 1. Panels are 14 gauge steel.  
2. Panel screws have #10-32 threads.



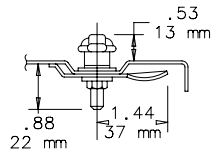
SECTION X-X

SECTION Y-Y

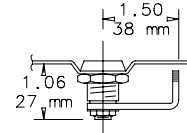
## Optional Latches



Standard Slotted  
Flush Latch



\*T\* Handle Latch Kit  
AL7A



Cylinder Lock Kit  
AL12AR  
C2572-C