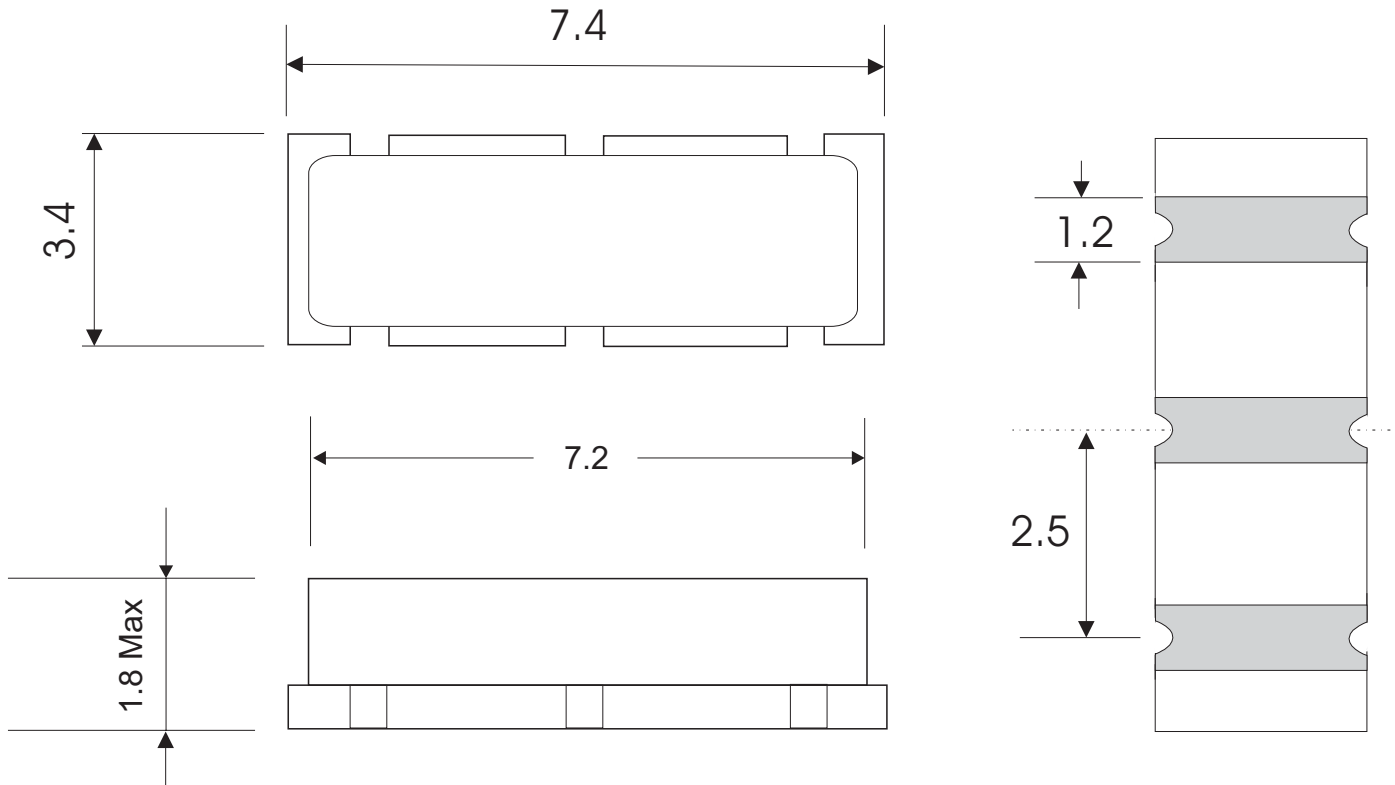
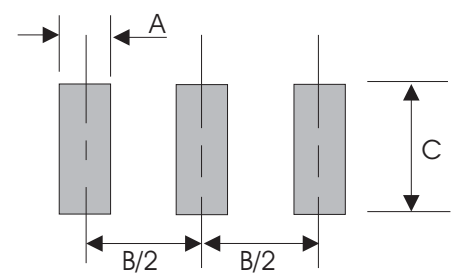


All Dimensions in mm



Product Type	ZTCC	<p>Recommended Land Dimensions</p>  <p>A - 1.4 to 2.0 B - 5.0 C - 3.7 to 4.3</p>
Frequency	2.000 ~ 8.000 MHz	
Frequency Accuracy	+ - 0.5% @ 25Deg C	
Temperature Stability	+ - 0.3%	
Temperature Range	-20 to +80 Deg C	
Aging over 10 Years	+ - 0.3%	

Amdt	Change Note	Date	Originator	Issue No 1	AEL Crystals Ltd Specification No
		18.06.2002	SDM		
				Dated	ZTCC Series
				18.06.2002	