

CFPT-9300 Series Lead-Free Miniature High Precision TCXO / TCVCXO

ISSUE H; 29th APRIL 2005

Preliminary Specification

Recommended for new Designs

Delivery Options

- Please contact our sales office for current delivery times.

Description

- A series of Lead Free, surface mountable TCXO / TCVCXO for medium to high volume applications where small size and high performance are pre-requisites. This oscillator uses C-MAC's latest custom ASIC "Pluto", a single chip oscillator and analogue compensation circuit, capable of sub 0.3ppm performance over an extended temperature range. Its ability to function down to a supply voltage of 2.4V and low power consumption makes it particularly suitable for mobile applications.

Frequency

- Standard: 10.0 (HCMOS only), 12.688375, 12.8, 13, 14.4, 16, 16.367, 16.384, 16.8, 19.2, 19.44, 20, 24, 24.5535, 26, 32.768, 33.6, 36, 38.88 and 40 MHz
- Optional Range 1.5 to 52 MHz

Waveform

- Standard
 - Square HCMOS 15pF load
 - Clipped sinewave(CS) 10kΩ // 10pF, DC-coupled
- Optional
 - Square HCMOS 50pF max. load
 - Sinewave 10kΩ // 10pF, DC-coupled

Supply Voltage

- Operating range 2.4 to 6.0V, see table.

Current Consumption (typically)

- HCMOS
 $1 + \text{Frequency(MHz)} * \text{Supply(V)} * \{\text{Load(pF)} + 15\} * 10^{-3}$
 mA, e.g. 20MHz, 3.3V, 15pF \Rightarrow 3 mA
- Clipped Sinewave
 $1 + \text{Frequency(MHz)} * 1.2 * \{\text{Load(pF)} + 30\} * 10^{-3}$
 e.g. 20MHz, 10pF \Rightarrow 2 mA

Package Outline

- SMD (surface mount device), ceramic carrier, nom. dimensions 5.0 x 3.2 x 1.6mm
- Optional low profile, nom dimensions 5.0 x 3.2 x 1.4mm

Ageing

- ± 1 ppm maximum in first year, frequency \leq 20MHz
- ± 2 ppm maximum in first year, frequency $>$ 20MHz
- ± 3 ppm maximum for 10 years, frequency \leq 20MHz
- ± 5 ppm maximum for 10 years, frequency $>$ 20MHz
- ± 1 ppm maximum after reflow

Frequency Stability

- Temperature: see table
- Supply Voltage Variation, $\pm 10\%$

HCMOS	± 0.2 ppm typ.
Clipped Sinewave	± 0.05 ppm typ.
- Load Coefficient,

15pF \pm 5pF (HCMOS)	± 0.2 ppm typ.
10kΩ // 10pF $\pm 10\%$ (CS)	± 0.05 ppm typ.

Frequency Adjustment, two options

- A** Ageing adjustment by means of external Control Voltage applied to pad 1 (standard option)
- Range (frequency \leq 20MHz) $\geq \pm 5$ ppm
 - Range (frequency $>$ 20MHz) $\geq \pm 7$ ppm
 - Linearity $\leq 2\%$
 - Slope Positive
 - Input resistance ≥ 100 kΩ
 - Modulation bandwidth ≥ 2 kHz
 - Standard control voltage range 1.5V \pm 1V
- B** No frequency adjustment
- Initial calibration $\leq \pm 1.0$ ppm

Storage Temperature Range

- -55 to +125°C

Environmental Specification

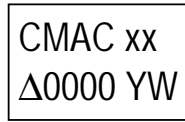
- Vibration: IEC 60068-2-6, test Fc, procedure B4: 10-60Hz 1.5 mm displacement, 60-2000Hz at 20gn, 4 hours in each of three mutually perpendicular axes at 1 octave per minute.
- Shock: IEC 60068-2-27, test Ea: 1500gn acceleration for 0.5ms duration, Half-sine pulse, 3 shocks in each direction along three mutually perpendicular axes.
- Soldering: SMD Product suitable for Reflow soldering. Peak temperature 260°C. Maximum time above 220°C, 60 sec.
- Marking: Laser Marked
- RoHS: Parts are fully compliant with the European Union directive 2002/95/EC on the restriction of the use of certain hazardous substances in electrical and electronic equipment. Note: These RoHS compliant parts are suitable for assembly using both Lead-free solders and Tin/Lead solders.



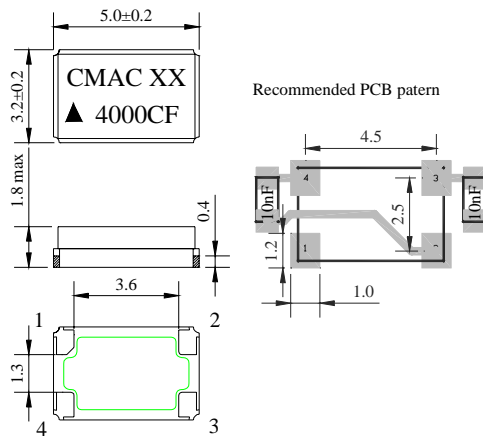
Frequency Products

Marking, includes

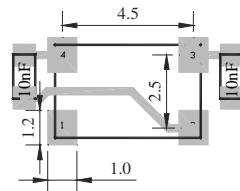
- CMAC
- Manufacturing identifier (xx)
- Pad 1 / Static sensitivity identifier (Triangle)
- Part Number (Four digits)
- Device date code (YW)



Outline in mm



Recommended PCB pattern



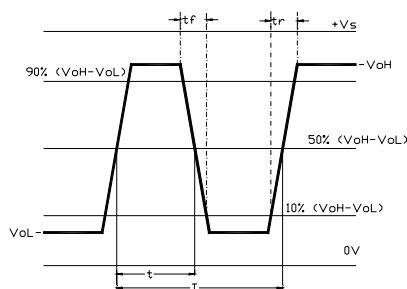
Pad Function

- | | |
|---|---|
| 1 | Voltage Control (leave unconnected in case the 'no frequency adjust' option has been ordered) |
| 2 | Ground |
| 3 | Output |
| 4 | Supply Voltage, Vs |

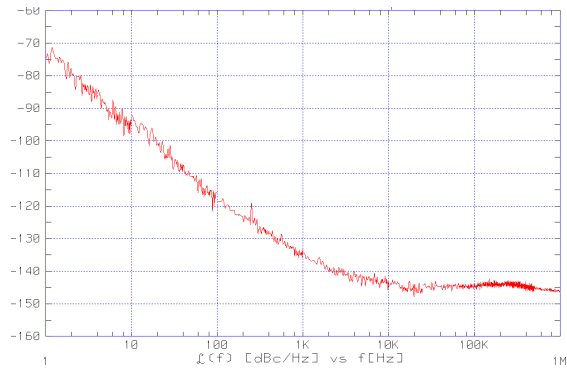
Low Profile option, 1.6mm max height.

Note: for correct operation a 10nF supply de-coupling capacitor should be placed next to the device, as shown above. If an AC coupled output is required a 10nF should be placed in series with output pad 3.

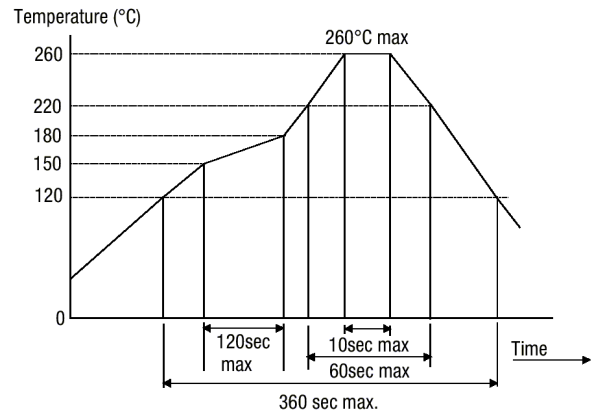
Output Waveform - HCMOS



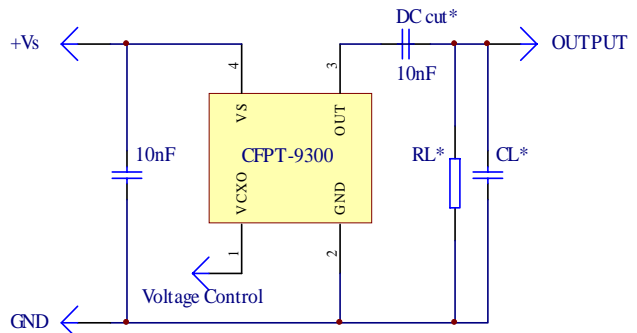
Typical Phase Noise at 14.4 MHz



Reflow Solder Profile



Test Circuit



*DC cut capacitor required for AC coupled Clipped sinewave.

*Load 15pF (HCMOS) or 10kΩ // 10pF (Clipped Sinewave), inclusive of probe and jig capacitance.

Phase Noise (typical figures)

Frequency	Frequency offset from carrier				
	10Hz	100Hz	1kHz	10kHz	100kHz
14.4MHz	-95 dBc/Hz	-115 dBc/Hz	-135 dBc/Hz	-140 dBc/Hz	-145 dBc/Hz

Electrical Specification – limiting values when measured in test circuit

Frequency Range	Supply Voltage	Output Waveform	Output Levels	Rise Time (tr)	Fall time (tf)	Duty cycle	Model Number
1.5MHz to 52.0MHz	3.3V±10%	Square HCMOS 15pF	Voh ≥ 90%Vs Vol ≤ 10%Vs	8ns	8ns	45/55%	CFPT-9301
12.0MHz to 52.0MHz	3.0V±10%	Clipped Sinewave 10kΩ/10pF	Vpk-pk ≥ 0.8V	-	-	-	CFPT-9302

Frequency Stability Available Over Operating Temperature Ranges

Operating Temperature Ranges	Frequency Stability vs Operating Temperature Range				
	±0.2ppm	±0.3ppm	±0.5ppm	±1.0ppm	±2.0ppm
-20 to 70°C	Code MS*	Code AS*	Code ES	Code FS	Code GS
-40 to 85°C	-	Code AX*	Code EX*	Code FX	Code GX

Ordering Example

	14.4MHz	CFPT-9301	FX	A
Frequency _____	_____	_____	_____	_____
Model No _____	_____	_____	_____	_____
Frequency Stability vs Operating Temperature Code _____	_____	_____	_____	_____
Frequency Adjustment Code _____	_____	_____	_____	_____

Note: *Codes may not be available for all frequencies

Minimum Order Information Required

- Frequency + Model Number + Frequency Stability vs Operating Temperature Range Code + Frequency Adjustment Code

OR

- Discrete Part Number (ExxxxLF)

Custom Specifications

Non-standard requirements like high drive AC MOS output, low harmonic sinewave output, low profile outline, different supply and control voltages, high frequency pulling, different stabilities and temperature ranges may be available upon request. Please contact our sales office to discuss your requirements.