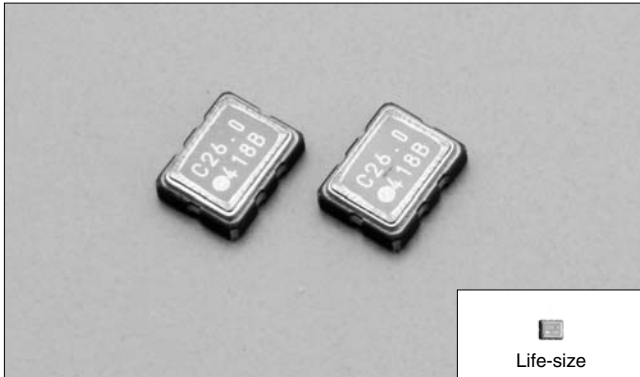


# CSX-325T

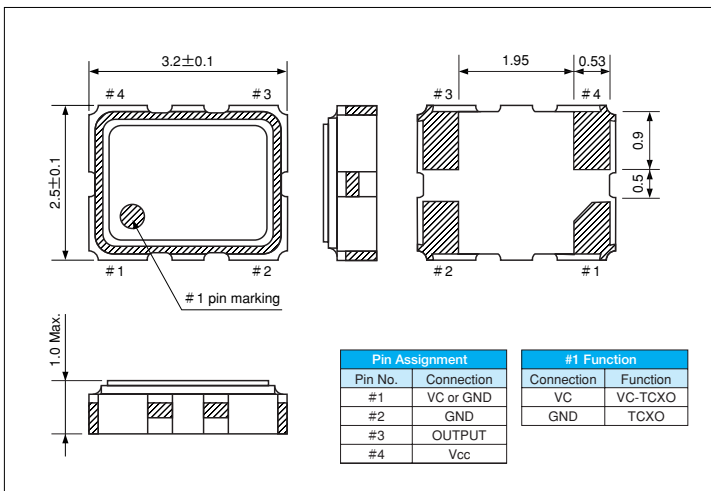
2000pcs/reel



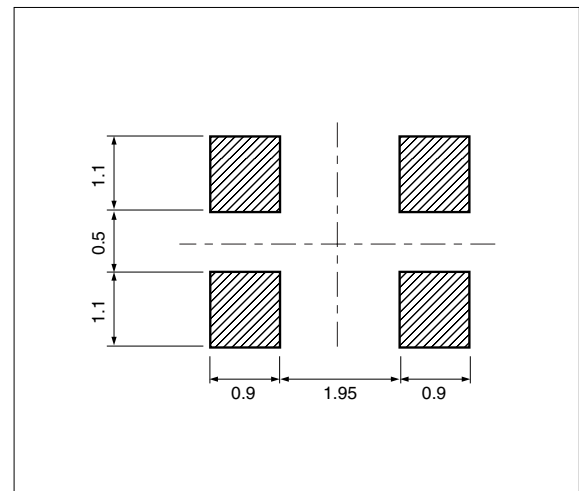
## FEATURES

- High-density SMD type.  
Ultra-light weight and ultra-miniature size.
- With the function of frequency and voltage control.
- Available in 1.8V ultralow voltage drive.
- Low current consumption.
- Automatic mounting and reflowable type.
- Most appropriate for cellular phone, GPS and other equipment with telecommunication devices.

## DIMENSION [mm]



## SOLDER PAD LAYOUT [mm]



## STANDARD SPECIFICATIONS

Item	Model	CSX-325T			
Nominal Frequency	f <sub>0</sub>	13.0MHz , 16.0MHz	19.2MHz	23.104MHz , 26.0MHz , 32.0MHz , 33.6MHz , 38.4MHz	52.0MHz
Frequency Stability	Δf/f <sub>0</sub>	±2.5ppm / (−30°C ~ +75°C)			
Operating Temperature Range	T <sub>OPR</sub>	−30°C ~ +75°C			
Storage Temperature Range	T <sub>STR</sub>	−40°C ~ +85°C			
Supply Voltage	V <sub>dd</sub>	1.8V ~ 3.0V			
Frequency adjustment range	Δf <sub>VC</sub>	±8ppm Min. / (V <sub>cont</sub> =V <sub>dd</sub> /2±1.0V)			
Current consumption	I <sub>dd</sub>	1.5mA Max		2.0mA Max	
Output Voltage	V <sub>OUT</sub>	0.8Vp-p Min. (10kΩ / 10pF)			
Start-up time	T <sub>ST</sub>	5.0 msec Max.		3.5 msec Max.	
Aging (first year)	F <sub>A</sub>	±1.0ppm / year Max.			