

Farnell Order Code: 1538951

FOX MODEL: FXO-PC735R-312.5

FOX Part Number: 774-312.5-10

LVPECL, CERAMIC, SMD, OSCILLATOR

Specifications

| Parameters | |
|----------------------------------------------|--------------------|
| Frequency | 312.5 MHz |
| Frequency Stability ¹ | ±50PPM |
| Temperature Range | |
| Operating (T _{OPR}) | -40°C ~ +85°C |
| Storage (T _{STG}) | -55°C ~ +125°C |
| Supply Voltage (V _{DD}) | 3.3V ± 5% |
| Input Current (I _{DD}) | 120 mA Max |
| Output Voltage (V _{OL}) | 1.305V ~ 1.65V |
| (V _{OH}) | 2.055V ~ 2.405V |
| Output Symmetry (50% V _{p-p} Level) | 45% ~ 55% |
| Rise Time (20% ~ 80% V _{p-p}) (TR) | 400 pS Max |
| Fall Time (80% ~ 20% V _{p-p}) (TF) | 400 pS Max |
| Output Load (Recommended Circuit below) | 50 ohms into +1.3V |
| Startup Time (T _S) | 10 ms Max |
| Output Enable / Disable Time ² | 100 nS Max |
| Phase Jitter (12kHz ~ 20MHz) | 0.98 pS Typ. |
| Maximum Soldering Temp / Time | 260°C / 10 Seconds |
| Moisture Sensitivity Level (MSL) | 1 |
| Termination Finish | Au |

¹ Inclusive of 25°C tolerance, operating temperature range, input voltage change, load change, aging, shock, and vibration.

² An internal pullup resistor from pin 1 to pin 6 allows active output if pin 1 is left open.

| ENABLE/DISABLE FUNCTION ² | |
|------------------------------------------------|-------------------|
| Pin 1 | OUTPUT (Pin 4, 5) |
| OPEN ⁴ | ACTIVE |
| '1' Level V _{IH} ≥ 70%V _{DD} | ACTIVE |
| '0' Level V _{IL} ≤ 30%V _{DD} | High Z |

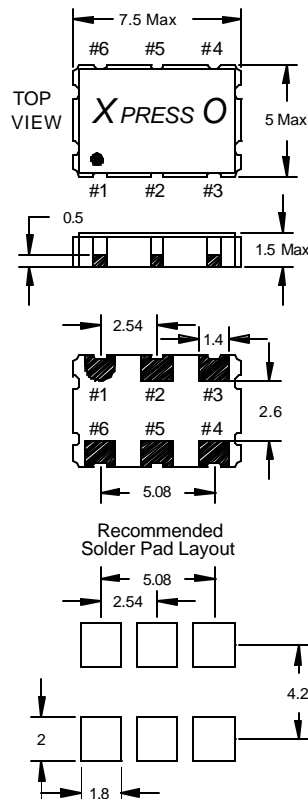
NOTE A 0.01µF bypass capacitor should be placed between V_{DD} (Pin6) and GND (Pin 3) to minimize power supply line noise.

RoHS Compliance Status: Compliant



Drawing is for reference to critical specifications defined by size measurements. Certain non-critical visual attributes, such as side castellations, reference pin shape, etc. may vary

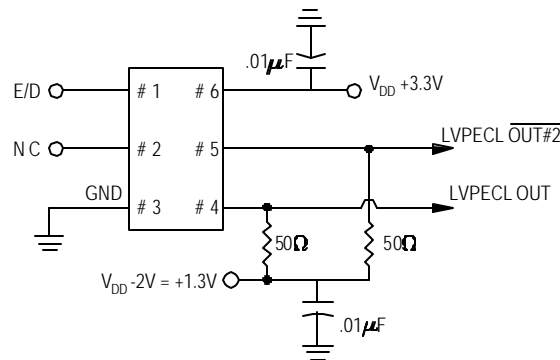
Mechanical / Dimensions (millimeters):



Pin Connections

- #1 E/D
- #2 NC
- #3 GND
- #4 Output 1
- #5 Output 2
- #6 V_{DD}

A. Recommended Circuit



NOTE: The above specifications, having been carefully prepared and checked, is believed to be accurate at the time of publication; however, no responsibility is assumed by Fox Electronics for inaccuracies.

| Reference / Comments | Title / Description: Product Specifications | | |
|----------------------|---------------------------------------------|--------------|------------------|
| | Drawing Number: DWG-4553-7 | Rev: 1 | Size: A |
| | Part Number: 774-312.5-10 | | Cage: 61429 |
| | Draftsperson: AR | Approved: BN | Date: 01/15/2008 |