

# MIH Series – 5 x 7 Ceramic SMD Oscillator



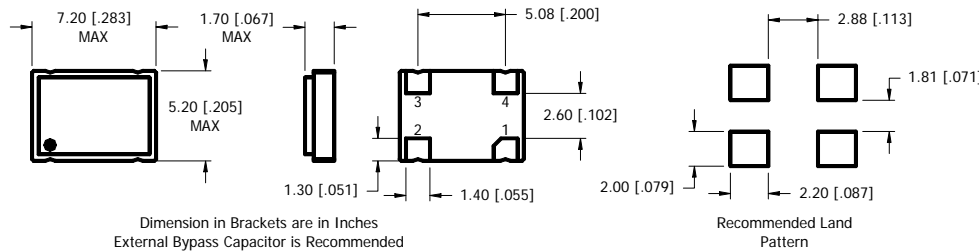
- Low Profile SMD Package
- Hermetically Sealed
- RoHS Compliant
- Wide Frequency Range



## ELECTRICAL SPECIFICATIONS:

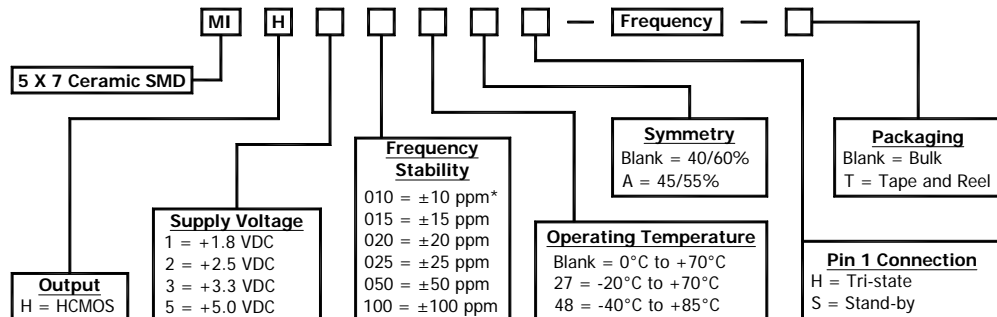
Frequency Range	1.500MHZ to 133.000MHZ			
Temperature Stability*	(See Part Number Guide for Options)			
Operating Temperature Range	(See Part Number Guide for Options)			
Storage Temperature Range	-55°C to +125°C			
Aging (+25°C ±3°C)	±5ppm for first year			
Waveform	HCMOS			
Supply Voltage ±5% (Vdd)	+1.80 VDC	+2.50 VDC	+3.30 VDC	+5.00 VDC
Supply Current	15mA	40mA	40mA	70mA
Load	15pF	15pF	10 TTL Gates or 30pF	10 TTL Gates or 50pF
Logic "0"	10% Vdd max			
Logic "1"	90% Vdd min			
Rise/Fall Time (10% to 90% of Supply Voltage)	4nSec			
Symmetry (50% of waveform)	40%/60% (45%/55% optional)			
Start-up Time	10mSec max			
Jitter (RMS)	10pSec max**			
Tri-State Operation	Vih = 70% of Vdd min to Enable Output Vil = 30% max or grounded to Disable Output (High Impedance)			
* Inclusive of Temperature., Load, Voltage and Aging				
** Please contact your MMD representative for up-to-date typical jitter information				

## MECHANICAL DIMENSIONS:



Pin Connections	
Pin 1	Tri-state or Stand-by
Pin 2	Case Ground
Pin 3	Output
Pin 4	Supply Voltage

## PART NUMBER GUIDE:



Please Consult with MMD Sales Department for any other Parameters or Options  
\* Not available in +1.8 VDC and +2.5 VDC

MMD Components, 30400 Esperanza, Rancho Santa Margarita, CA, 92688  
Phone: (949) 709-5075, Fax: (949) 709-3536, [www.mmdcomp.com](http://www.mmdcomp.com)  
Sales@mmdcomp.com