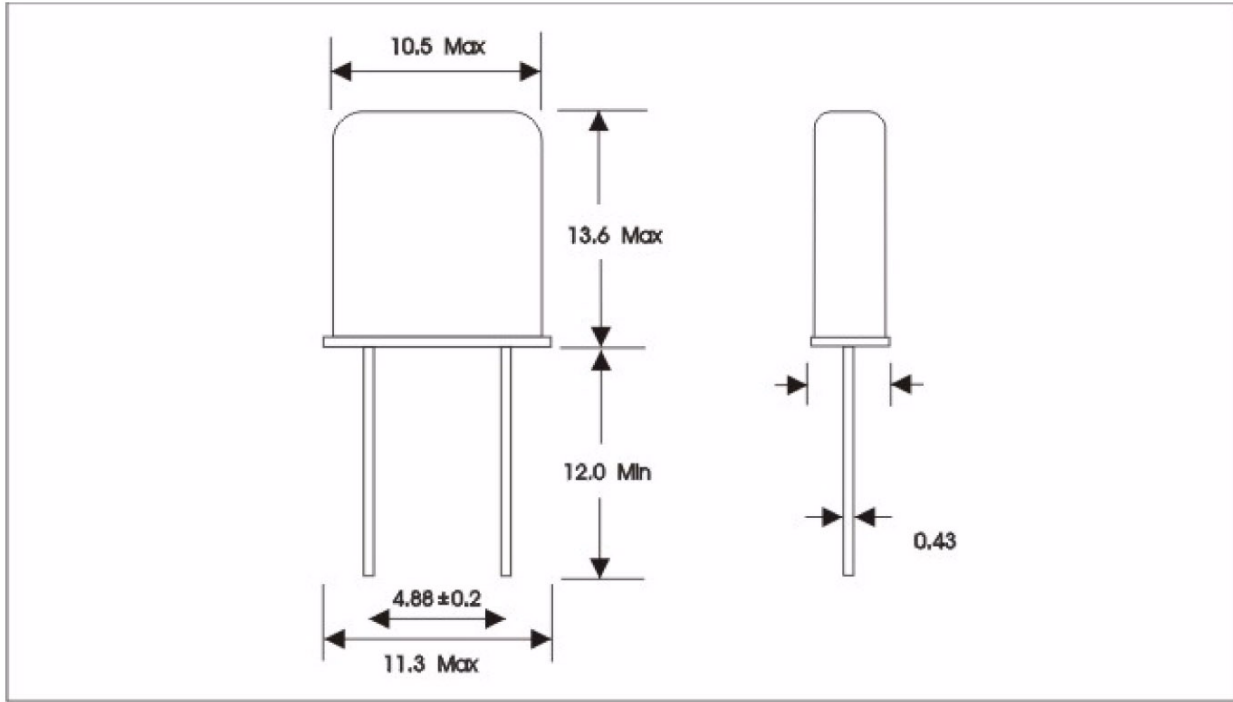


**SPECIFICATION  
CONTROL DRAWING  
Crystal Resonator**

**FREQUENCY**

19.660800MHz



Holder Style	HC-49/U
Mode	Fundamental
Adjustment Tolerance	± 30PPM at 25°C
Temperature Stability	± 50 PPM
Operating Temp. Range	-10°C to +60°C
ESR	25 Ohm
Marking	Mark AELX307L\FREQ+WWYY

Amdt Date	Change Note	AEL Code	
		X19M660800L307	
		<b>Issue Ref</b>	A