

# CFPX-181

ISSUE 3; 10 AUG 2008



## Delivery Options

- Please contact our sales office for current leadtimes

## Holder Style

- CFPX-181 surface mount crystals are encapsulated in a hermetically sealed ceramic package with a seam sealed metal lid.

## General Specifications

- Load Capacitance ( $C_L$ ): 10pF to 30pF or Series
- Drive Level: 10 $\mu$ W typical, 100 $\mu$ W max
- Ageing:  $\pm$ 1ppm max per year at 25°C

## Packaging

- CFPX-181 surface mount crystals are available packaged individually or on tape and reel

## Standard Frequency Tolerance and Stability

- $\pm$ 10ppm to  $\pm$ 100ppm

## Operating Temperature Range

- 10 to 60°C

## Storage Temperature Range

- 40 to 90°C

## Environmental

- Drop: naturally dropped 3 times from a height of 75cm onto a hardwood surface
- Vibration: frequency 10-55Hz, 1.5mm amplitude, 1min period, X, Y & Z axes, 2hrs in each direction

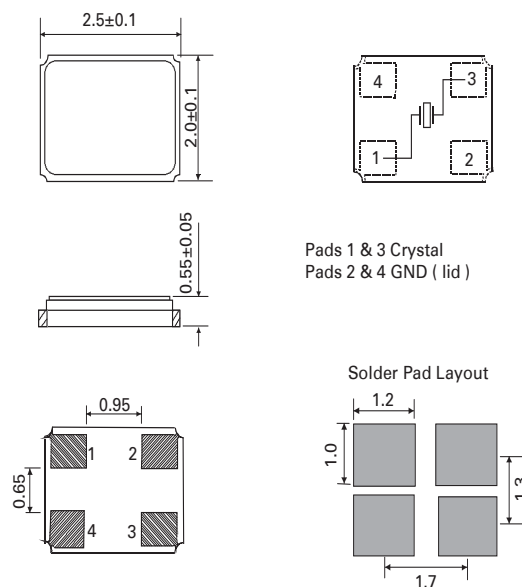
## Marking includes

- Frequency

## Minimum Order Information Required

- Frequency + Holder + Frequency Tolerance @ 25°C  
+ Frequency Stability + Operating Temperature Range  
+ Circuit Condition

## Outline in mm





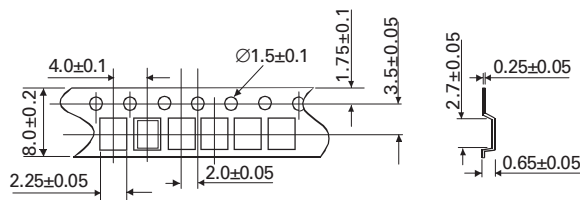
**Electrical Specification – maximum limiting values**

Frequency Range	Frequency Tolerance @ 25°C ±2°C	Operating Temperature Range	Frequency Stability Available Over Operating Temperature		ESR max.	Vibration Mode
			Minimum	Maximum		
16.0 to <19.0MHz	±10ppm to ±50ppm	-10 to 60°C	±10ppm	±100ppm	150Ω	Fundamental AT cut
19.0 to <40.0MHz					100Ω	
40.0 to 50.0MHz					70Ω	

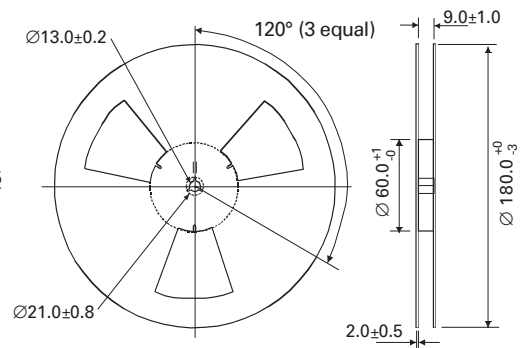
SURFACE MOUNT QUARTZ CRYSTALS

**Note.** For any other frequencies / specifications, please contact our sales office.

**Outline in mm - Tape**



**Outline in mm - Reel**



Tel: +44 (0)1460 270200

Website: [www.iqdfrequencyproducts.com](http://www.iqdfrequencyproducts.com)

Fax: +44 (0)1460 72578

e-mail: [info@iqdfrequencyproducts.com](mailto:info@iqdfrequencyproducts.com)