

12SMX Crystals

ISSUE 9; 10 APRIL 2002

Delivery Options

- Please contact our sales office for current leadtimes

Holder Style

- 12SMX surface mount crystals are encapsulated in a ceramic package with a resin sealed lid

General Specifications

- Load Capacitance (C_L): 10pF to 75pF or Series
- Drive Level: 0.1mW max
- Static Capacitance (C_0): 7pF max

Packaging

- 12SMX surface mount crystals are available packaged individually or on tape and reel
- 12SMX-B is the preferred package

Standard Frequency Tolerances and Stability

- ± 30 ppm, ± 50 ppm, ± 100 ppm

Operating Temperature Ranges

- 0 to 50°C
- -10 to 60°C

Storage Temperature Range

- -40 to 85°C

Solder Condition

- For typical soldering conditions, please see the relevant page in Application Notes

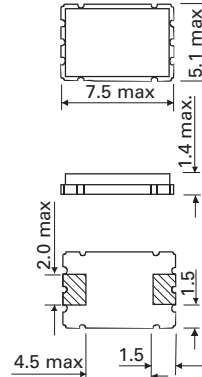
Marking

- Frequency only

Minimum Order Information Required

- Frequency + Holder and Pad Configuration + Frequency Tolerance @ 25°C + Frequency Stability + Operating Temperature Range + Circuit Condition + Overtone Order

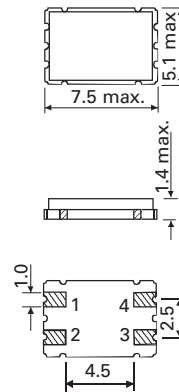
Outline in mm - 12SMX (A)



Solder pad layout



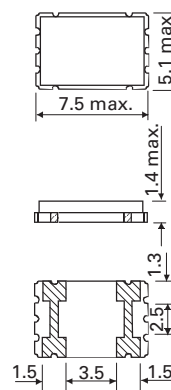
Outline in mm - 12SMX (B)



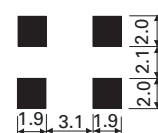
Solder pad layout



Outline in mm - 12SMX (C)



Solder pad layout



Electrical Specification – maximum limiting values

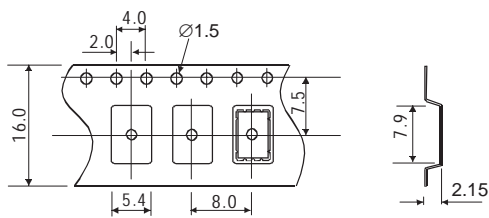
Frequency Range	Frequency Tolerance @ 25°C ±2°C	Operating Temperature Range	Frequency Stability Available Over Operating Temperature		ESR max.	Vibration Mode
			Minimum	Maximum		
6.0 to < 8.0MHz	±20ppm to ±100ppm	0 to 50°C	±20ppm	±100ppm	150Ω	Fundamental
8.0 to < 10.0MHz	±20ppm to ±100ppm	0 to 50°C	±30ppm	±100ppm	80Ω	Fundamental
		-10 to 60°C	±30ppm	±100ppm		
10.0 to < 16.0MHz	±20ppm to ±100ppm	0 to 50°C	±30ppm	±100ppm	60Ω	Fundamental
		-10 to 60°C	±30ppm	±100ppm		
16.0 to < 50.0MHz	±20ppm to ±100ppm	0 to 50°C	±30ppm	±100ppm	40Ω	Fundamental
		-10 to 60°C	±30ppm	±100ppm		
40.0 to < 84.0MHz	±20ppm to ±100ppm	0 to 50°C	±30ppm	±100ppm	60Ω	3rd Overtone
		-10 to 60°C	±30ppm	±100ppm		

Note: 12SMX-A (-C) Package may not be available for all combinations

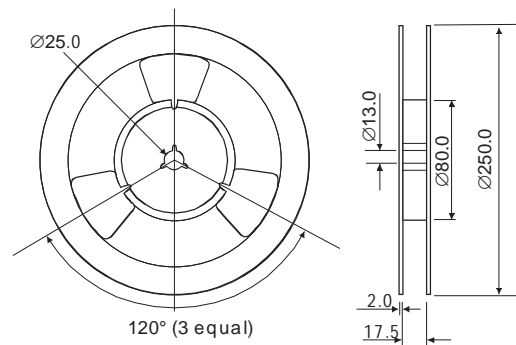
Note. For any other frequencies / specification combinations, please contact our sales office.

SURFACE MOUNT QUARTZ CRYSTALS

Outline in mm - Tape



Outline in mm - Reel



Europe Tel: +44 (0)1460 270200 Fax: +44 (0)1460 72578
 Americas Tel: +1 919 941 9333 Fax: +1 919 941 9371
 Asia Tel: +86 755 8826 5991 Fax: +86 755 8826 5990

Website: www.cmac.com