

7 x 5mm SMD, 4 pad or 2 pad

FEATURES

- **Miniature size: 7.0mm x 5mm x 1.2mm height**
- **Gold-plated ceramic base with metal seam-welded lid**
- **To minimize EMI the whole crystal may be grounded**
- **Tight tolerance of ± 10 ppm for telecommunications use**
- **High shock and vibration resistance**
- **Ideal for PDAs, GPS, PCMCIA and hand-held equipment**

DESCRIPTION

Miniature surface-mount MQ crystals are produced using a ceramic substrate and fitted with a hermetically-sealed metal lid. The crystals are competitively priced, well-suited to mass-market electronic applications and may also be produced to close tolerances making this crystal a good choice for applications requiring low mass and tight tolerances. There are two package variants, 4 pad and two pad.

SPECIFICATION

Frequency Range	AT-Cut Fundamental:	6.0MHz to 45.0MHz
	AT-Cut 3rd Overtone:	30.0MHz to 125.0MHz
Calibration Tolerance at 25°C*:		from ± 5 ppm (± 10 , ± 20 or ± 30 ppm standard)
Frequency stability		
	-10° to +60°C	from ± 5 ppm
	-20° to +70°C	from ± 10 ppm
	-40° to +90°C	from ± 15 ppm
	-55 to +125°C	from ± 20 ppm
Storage Temperature:		-55°~+105°C
Effective Series Resistance:		See table
Shunt Capacitance (C0):		2pF to 4pF typical, 7pF maximum
Load Capacitance (CL):		Series or from 10pF to 32pF (Customer specified CL)
Ageing:		< ± 3 ppm per year at +25°C
Drive level:		100 μ W maximum
Reflow Soldering:		10s maximum, 260°C twice or 180s at 230°C, once.
Package:		Ceramic base, metal lid, Hermetic seal
Packaging:		16mm EIA tape and reel 1000 pieces per reel

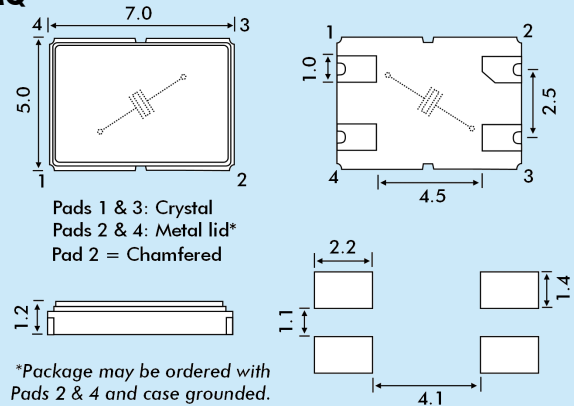
EFFECTIVE SERIES RESISTANCE

Frequency Range MHz	Crystal Cut/ Mode	ESR Ohms Max.
6.0 ~ 11.0	AT Fund.	60
11.1 ~ 14.0	AT Fund.	50
14.1 ~ 45.0	AT Fund.	40
30.0 ~ 40.0	AT 3rd OT	100
40.1 ~ 50.0	AT 3rd OT	80
50.1 ~ 125	AT 3rd OT	90

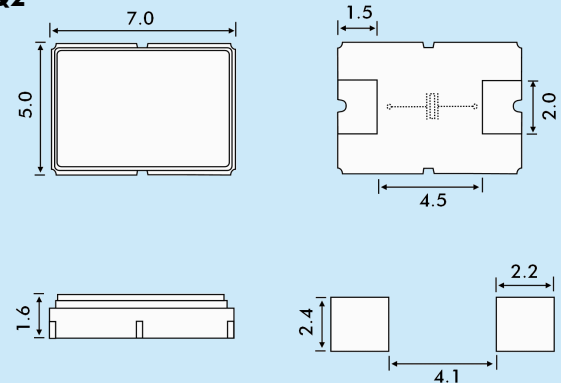


OUTLINE & DIMENSIONS

MQ



MQ2



PART NUMBER GENERATION

