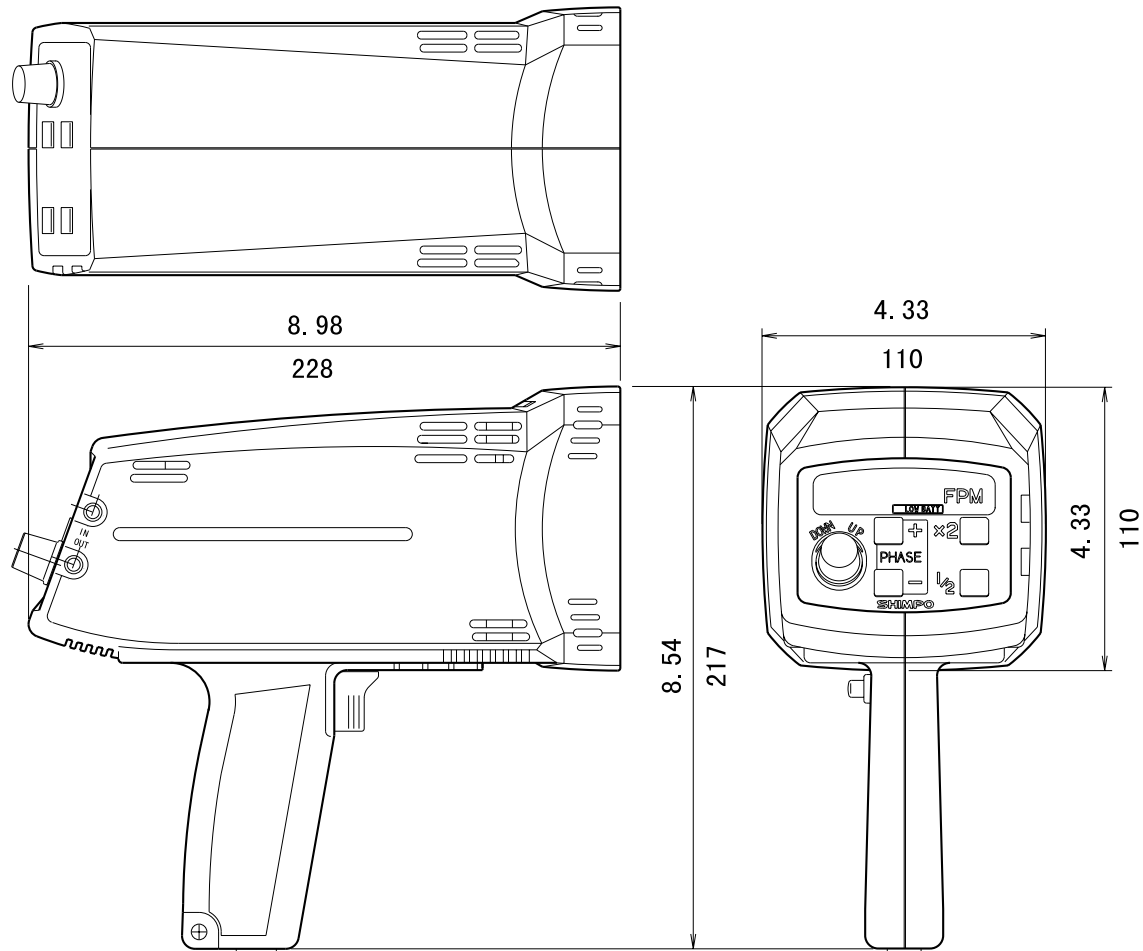


DT-721 / 725 STROBOSCOPE



SPECIFICATIONS		
Model	DT-721 (AC)	DT-725 (DC)
Flashing Range	40.0 - 12,500 FPM (flashes per minute)	
Accuracy	±0.02 % of reading	
Resolution	0.1 FPM : 40.0 - 4,999.9 FPM 0.2 FPM : 5,000 - 7,999.9 FPM 0.5 FPM : 8,000.0 - 9,999.5 FPM 1 FPM : 10,000 - 12,500 FPM	
Phase Shift	Use +/- push buttons (360° in 6 seconds)	
Display Update Time	Ext. mode : varies with flashing rate	
Output Signal	NPN open collector (24 VDC max., 50 mA), 150 μsec typical	
Rate Multiplier/Divider	Multiply by 2, divide by 2	
External Trigger Input Signal	a) 12 - 24 VDC thru a 3-wire NPN output sensor (requires external power supply) b) 12 VDC thru a 2-wire proximity sensor (leakage current 1 mA max., load current 8 mA min.) c) Switch or relay contact	
Display	5 digits, 0.3" (8 mm) high, LED	
Flash Tube Power/Life	Xenon, 10 W max. (100 million flashes)	
Flash Duration	10 - 15 μsec	
Sensor Power Supply	None	
Low Battery Indicator	N/A	Flashing LED
Power Requirement	115 VAC or 220 VAC ±10 % 60/50 Hz	Internal battery pack
Operating Temperature Range	32° - 104° F (0 - 40° C)	
Weight	1.5 lb (0.7 kg)	2.75 lb (1.25 kg)
Dimensions	8.98" L x 4.33" W x 8.54" H (228 mm x 110 mm x 217 mm), including handle	
Warranty	1 year	
OPTIONAL ACCESSORIES	Carrying case	Fast charger, carrying case