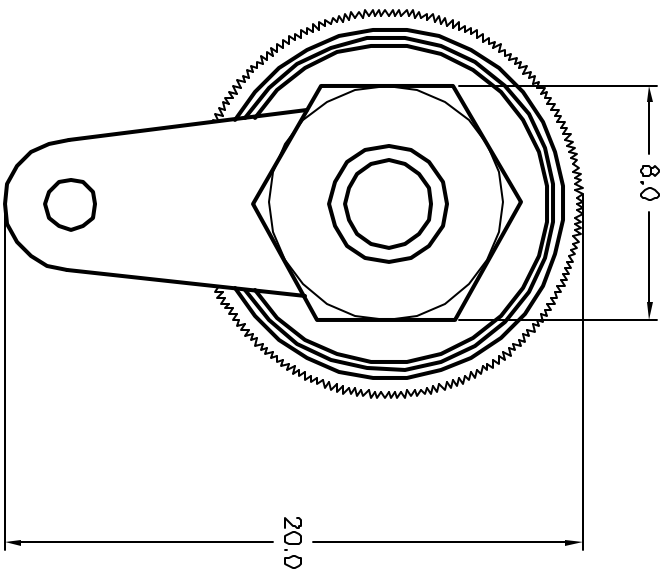
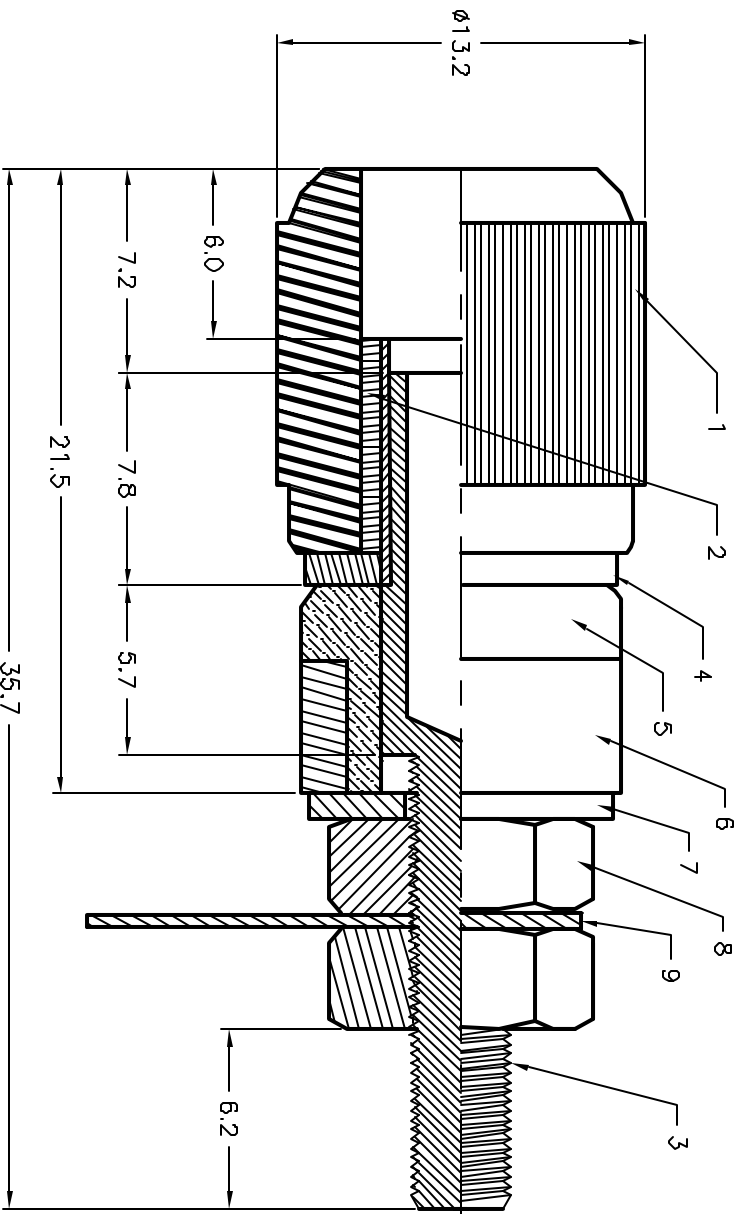


REVISONS		DOC. NO. SPC-F006	Effective 7/8/02	DGP No. 1308				
DGP #	REV	DESCRIPTION	DRAWN	DATE	CHECK'D	DATE	APPR'VD	DATE
1818	A	Released	JWM	4/7/05	JN	03/25/08	JN	03/25/08



No.	Part	Qty	Material
1	Head	1	Bakelite
2	Kernel	1	BSBME
3	body	1	BSBME with Nickel Plating
4	Fixed Washer	1	BSP 1-1/2H with Nickel Plating
5	Fixed Base	1	ABS
6	Fixed Boot	1	ABS
7	Washer	1	Spcc with Nickel Plating
8	Nut	2	Steel with Nickel Plated
9	Terminal	1	BSP 1-1/2H with Nickel Plating

DRAWING TITLE:

**Pin Tip Jack, Black**

SIZE DWG. NO.

**A SPC12729**

ELECTRONIC FILE

**78H0690.dwg**

REV

**A**

SCALE:

NTS

U.O.M.: Millimeters

SHEET:

1

OF 1

TOLERANCES:

UNLESS OTHERWISE SPECIFIED, DIMENSIONS ARE FOR REFERENCE PURPOSES ONLY.

DRAWN BY:

Jeff McVicker

DATE:

4/7/05

CHECKED BY:

Jason Nash

DATE:

03/25/08

APPROVED BY:

Jason Nash

DATE:

03/25/08

DISCLAIMER:

ALL STATEMENTS AND TECHNICAL INFORMATION CONTAINED HEREIN ARE BASED UPON INFORMATION AND/OR TESTS WE BELIEVE TO BE ACCURATE AND RELIABLE. SINCE CONDITIONS OF USE ARE BEYOND OUR CONTROL, THE USER SHALL DETERMINE THE SUITABILITY OF THE PRODUCT FOR THE INTENDED USE AND ASSUME ALL RISK AND LIABILITY WHATSOEVER IN CONNECTION THEREWITH.