



ALL RIGHTS RESERVED. NO PORTION OF THIS PUBLICATION, WHETHER IN WHOLE OR IN PART CAN BE REPRODUCED WITHOUT THE EXPRESS WRITTEN CONSENT OF SPC TECHNOLOGY.

SPC-F005.DWG

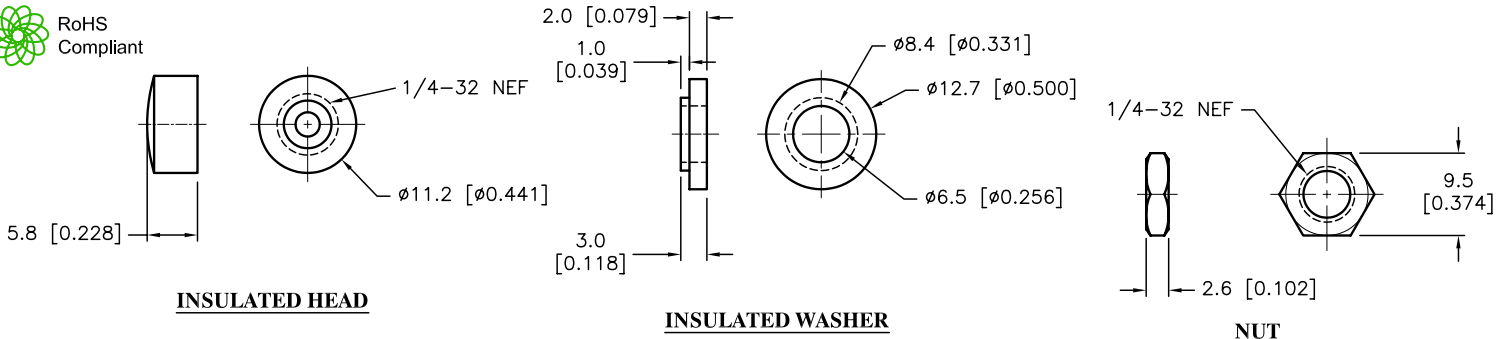
REVISIONS

DOC. NO. SPC-F005 * Effective: 7/8/02 * DCP No: 1398

DCP #	REV	DESCRIPTION	DRAWN	DATE	CHECKD	DATE	APPRVD	DATE
1876	A	RELEASED	EO	05/23/06	TL	05/25/06	HO	05/25/06
1921	B	Update Specification	YA	8/7/06	HO	8/7/06	HO	8/7/06



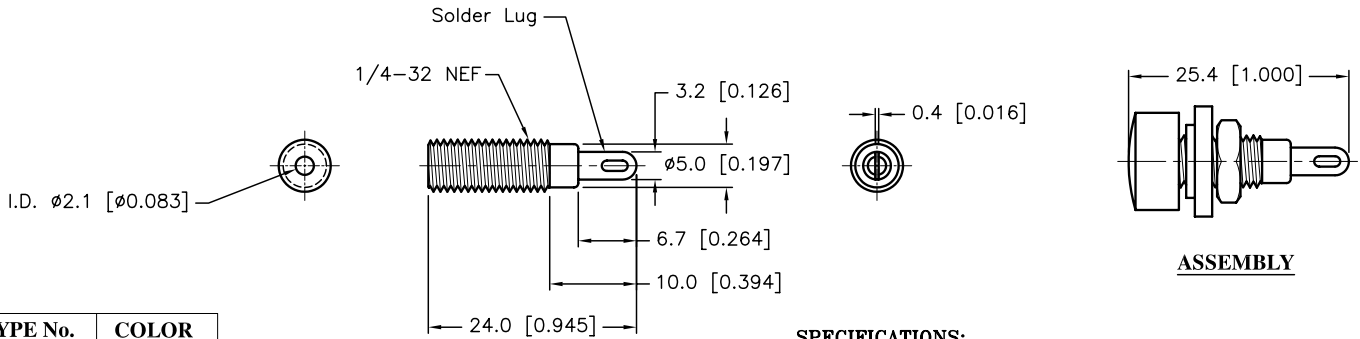
RoHS Compliant



INSULATED HEAD

INSULATED WASHER

NUT



THREADED BODY

ASSEMBLY

SPC TYPE No.	COLOR
SPC15256	BLACK
SPC15251	RED
SPC15132	GREEN
SPC15125	YELLOW

SPECIFICATIONS:

1. Threaded Body: Brass, Nickel-Plated
2. Insulated Head: ABS (Max. Heat Deflection Temperature: 89°C)
3. Insulated Washer: ABS
4. Solder Lug: Phosphor Bronze
5. Nut: Brass, Nickel-Plated

DISCLAIMER: ALL STATEMENTS AND TECHNICAL INFORMATION CONTAINED HEREIN ARE BASED UPON INFORMATION AND/OR TESTS WE BELIEVE TO BE ACCURATE AND RELIABLE. SINCE CONDITIONS OF USE ARE BEYOND OUR CONTROL, THE USER SHALL DETERMINE THE SUITABILITY OF THE PRODUCT FOR THE INTENDED USE AND ASSUME ALL RISK AND LIABILITY WHATSOEVER IN CONNECTION THEREWITH.

TOLERANCES:

Unless Otherwise Specified
 .X ±0.2 [0.008]
 .XX ±0.12 [0.005]

DRAWN BY:	DATE:
EKLAS ODISH	05/23/06
CHECKED BY:	DATE:
THOMAS LEE	05/25/06
APPROVED BY:	DATE:
HISHAM ODISH	05/25/06

DRAWING TITLE:

INSULATED TIP JACK, RoHS COMPLIANT

SIZE	DWG. NO.	ELECTRONIC FILE	REV
A	TA-707	TA-707.DWG	B
SCALE: NTS	U.O.M.: mm [INCHES]	SHEET: 1 OF 1	