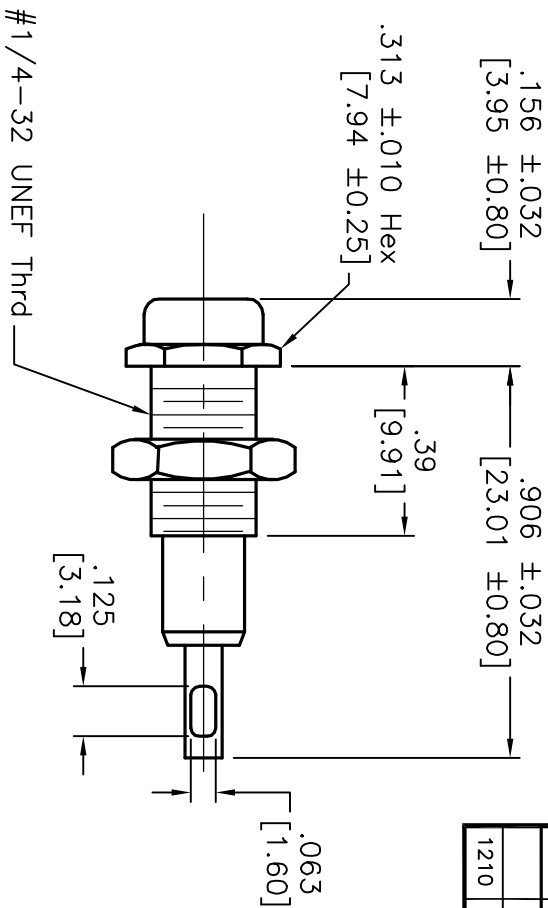


ALL RIGHTS RESERVED. NO PORTION OF THIS PUBLICATION, WHETHER IN WHOLE OR IN PART CAN BE REPRODUCED WITHOUT THE EXPRESS WRITTEN CONSENT OF SPC TECHNOLOGY.



REVISIONS		DOC. NO. SPC-F005	Effective: 12/21/98		DCP No: 680			
DCP #	REV	DESCRIPTION	DRAWN	DATE	CHECKD	DATE	APPRVD	DATE
	B	Revised & Redrawn		1/13/93			JL	
1210	C	Renamed & Updated	JMM	12/18/01	DJC	12/28/01	DJC	12/28/01

PART NUMBER	COLOR
866-B	BLACK
866-GR	GREEN
866-R	RED
866-W	WHITE
866-Y	YELLOW

NOTES:

- MATERIAL:
CONTACT: PHOSPHOR BRONZE
PER QQ-B-750
BODY: NYLON 66 PER ASTM D4066
- CONTACT FINISH: SILVER
- THREADED BRASS JACKET: PER QQ-B-626D, NICKEL PLATED
- HARDWARE: NICKEL PLATED NUT
- PANEL THICKNESS: UP TO .281" [7.10 MM]
- FLAMMABILITY: UL94V-2
SELF-EXTINGUISHING
- CONTINUOUS USE TEMPERATURE:
-40°F (-40°C) TO 185°F (85°C)
- CURRENT RATING: 10 AMPS
- BREAKDOWN VOLTAGE: 5700 VRMS MINIMUM
- CONTACT RESISTANCE: .010 OHMS MAX.
- CONTACT-TO-PANEL CAP.: 2 pF NOMINAL.
- FOR STANDARD TIP PLUG .080".
- FORMED CONTACT WITH SLOTTED TERMINAL.
- WEIGHT: .006#.

DISCLAIMER
ALL STATEMENTS AND TECHNICAL INFORMATION CONTAINED HEREIN ARE BASED UPON INFORMATION AND/OR TESTS WE BELIEVE TO BE ACCURATE AND RELIABLE SINCE CONDITIONS OF USE ARE BEYOND OUR CONTROL. THE USER SHALL DETERMINE THE SUITABILITY OF THE PRODUCT FOR THE INTENDED USE AND ASSUME ALL RISK AND LIABILITY WHATSOEVER IN CONNECTION THEREWITH.

Tolerances: Unless
Otherwise Specified:

.X = ±.015
.XX = ±.010
.XXX = ±.005

DRAWN BY: JP		DATE: 1/13/93	DRAWING TITLE: Jack, Tip (Insulated Metal Clad)	
CHECKED BY: JOHN COLE		DATE: 1/14/93	SIZE: A	DWG. NO. TA-466
APPROVED BY: JL		DATE: 1/19/93	SCALE: NTS	ELECTRONIC FILE TA-466.dwg
				REV C
				SHEET: 1 OF 1



SPC TECHNOLOGY