

105-0301-001	3	105-1307-001	2
105-0302-001	3	105-1307-002	2
105-0303-001	3	105-1310-001	2
105-0304-001	3	105-1310-002	2
105-0307-001	3	105-1321-001	2
105-0310-001	3	105-1321-002	2
105-0771-001	3	105-1322-001	2
105-0772-001	3	105-1322-002	2
105-0773-001	3	105-1323-001	2
105-0774-001	3	105-1323-002	2
105-0777-001	3	105-1324-001	2
105-0780-001	3	105-1324-002	2
105-1202-001	3	105-1327-001	2
105-1203-001	3	105-1327-002	2
105-1301-001	2	105-1330-001	2
105-1301-002	2	105-1330-002	2
105-1302-001	2	.060" (1.5 mm) Shrouded Rib-Loc® Tip Plug	2
105-1302-002	2	.060" (1.5 mm) Shrouded Tip Plug	2
105-1303-001	2	.060 (1.50) Shrouded Rib-Loc® Tip Plug	2
105-1303-002	2	.060 (1.50) Shrouded Tip Plug	2
105-1304-001	2	Insulated Stacking: Single Type	3
105-1304-002	2	Insulated Standard: Small Handle	3
		Insulated: Solderless Type	3

# Tip Plugs

APPLICATION • Connections to monitoring equipment

INCHES (MILLIMETERS)  
CUSTOMER DRAWINGS AVAILABLE UPON REQUEST

## .060 (1.50) Shrouded Rib-Loc® Tip Plug

### SPECIFICATIONS

**Contact:** Brass per QQ-B-626D

**Finish:** Gold or silver

**Body:** Nylon 6/6 per ASTM D4066

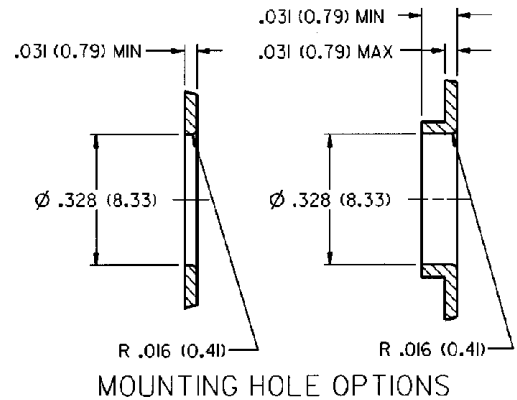
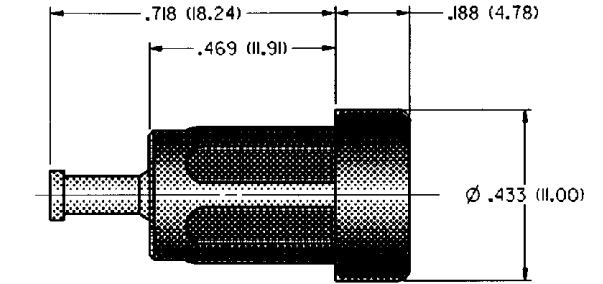
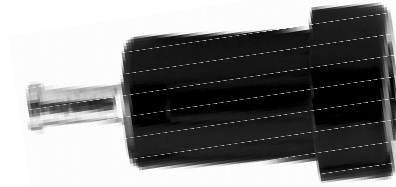
**Panel Thickness:** Up to .250 (6.35)

### RATINGS

**Current:** 7 amps

**Breakdown Voltage:** 3500 Vrms minimum †

**Contact Resistance:** 0.010 ohms maximum



SILVER PLATING			
PART NO.	COLOR	PART NO.	COLOR
105-1321-001	White	105-1324-001	Green
105-1322-001	Red	105-1327-001	Yellow
105-1323-001	Black	105-1330-001	Blue
GOLD PLATING			
PART NO.	COLOR	PART NO.	COLOR
105-1321-002	White	105-1324-002	Green
105-1322-002	Red	105-1327-002	Yellow
105-1323-002	Black	105-1330-002	Blue

For Standard Tip Jack:  
.060 (1.50) Diameter

### FEATURES:

- Requires no mounting hardware
- Shrouded
- Nylon UL approved for self extinguishing

## .060 (1.50) Shrouded Tip Plug

### SPECIFICATIONS

**Contact and Nut:** Brass per QQ-B-626D

**Finish:** Gold or silver

**Body:** Nylon 6/6 per ASTM D4066

**Hardware:** Nickel plated nut (unassembled)

**Body Thread Stripping Torque:** 6 in. lb. (7 kg.cm.)

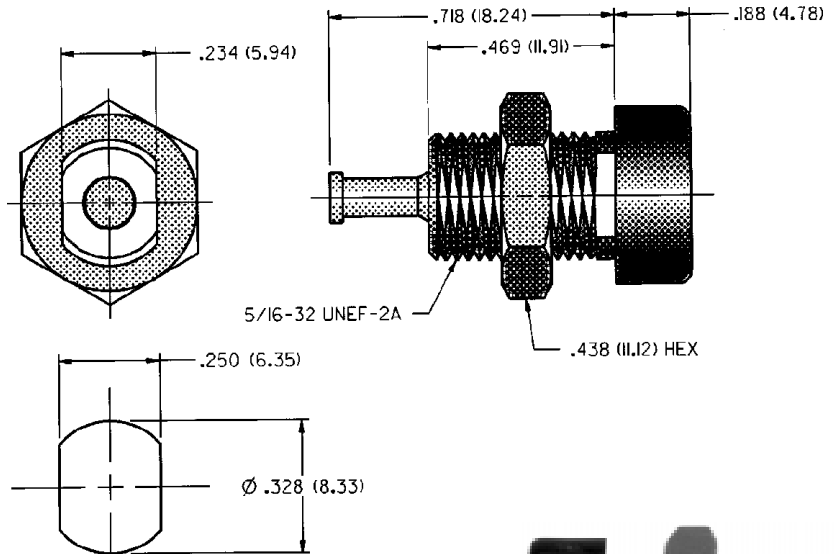
**Panel Thickness:** Up to .343 (8.80)

### RATINGS

**Current:** 7 amps

**Breakdown Voltage:** 3500 Vrms minimum †

**Contact Resistance:** 0.010 ohms maximum



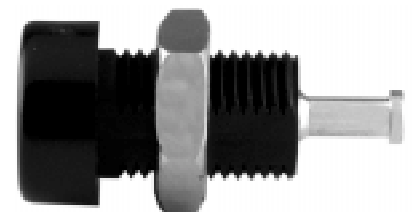
MOUNTING HOLE LAYOUT

SILVER PLATING			
PART NO.	COLOR	PART NO.	COLOR
105-1301-001	White	105-1304-001	Green
105-1302-001	Red	105-1307-001	Yellow
105-1303-001	Black	105-1310-001	Blue
GOLD PLATING			
PART NO.	COLOR	PART NO.	COLOR
105-1301-002	White	105-1304-002	Green
105-1302-002	Red	105-1307-002	Yellow
105-1303-002	Black	105-1310-002	Blue

For Standard Tip Jack: .060 (1.50) Diameter

### FEATURES:

- Keyed mounting with double flats
- Shrouded
- Nylon UL approved for self extinguishing



† Avoid user injury due to misapplication. See safety advisory definitions on page 2.

## Insulated Standard: Small Handle (Solder or Crimp)

### SPECIFICATIONS

**Contact:** Brass per QQ-B-626D

**Finish:** Nickel

**Insulated Handle:** Nylon 6/6 per ASTM D4066

### RATINGS

**Current:** 10 amps

**Breakdown Voltage:** 3500 Vrms minimum †

**Contact Resistance:** 0.010 ohms maximum

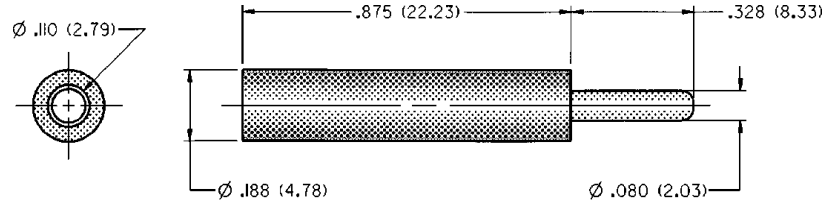
NICKEL PLATING	
SOLDER TYPE UP TO 16 GAUGE	CRIMP TYPE 16 GAUGE
PART NO.	COLOR
105-0771-001	White
105-0772-001	Red
105-0773-001	Black
105-0774-001	Green
105-0777-001	Yellow
105-0780-001	Blue

For Standard Tip Jack: .080 (2.00) Diameter

### FEATURES:

- Solder or crimp type connection
- Accepts wire sizes up to 16 gauge
- Nylon UL approved for self extinguishing

See page 188 for crimp tool.



## Insulated: Solderless Type

### SPECIFICATIONS

**Contact:** Brass per QQ-B-626D

**Finish:** Nickel

**Insulated Handle:** Nylon 6/6 per ASTM D4066

### RATINGS

**Current:** 10 amps

**Breakdown Voltage:** 3500 Vrms minimum †

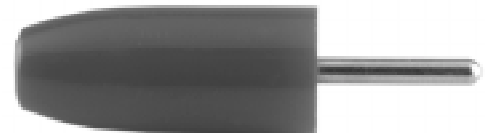
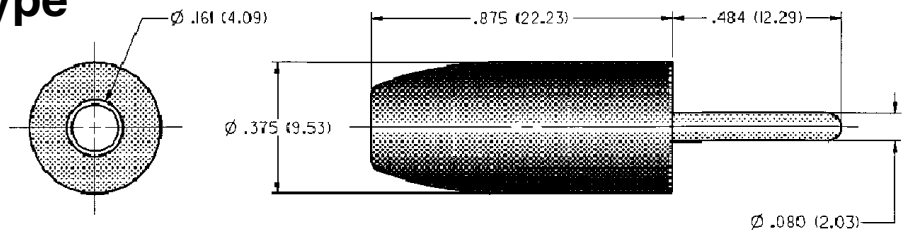
**Contact Resistance:** 0.010 ohms maximum

NICKEL PLATING			
PART NO.	COLOR	PART NO.	COLOR
105-0301-001	White	105-0304-001	Green
105-0302-001	Red	105-0307-001	Yellow
105-0303-001	Black	105-0310-001	Blue

For Standard Tip Jack: .080 (2.00) Diameter

### FEATURES:

- Recessed head to reduce shock hazard
- Accepts wire sizes up to 16 gauge
- Nylon UL approved for self extinguishing



## Insulated Stacking: Single Type

### SPECIFICATIONS

**Contact:** Brass body per QQ-B-626D with wrap around beryllium copper spring per QQ-C-533 (Silver plated)

**Finish:** Nickel

**Insulated Handle:** Nylon 6/6 per ASTM D4066

### RATINGS

**Current:** 10 amps

**Breakdown Voltage:** 3500 Vrms minimum †

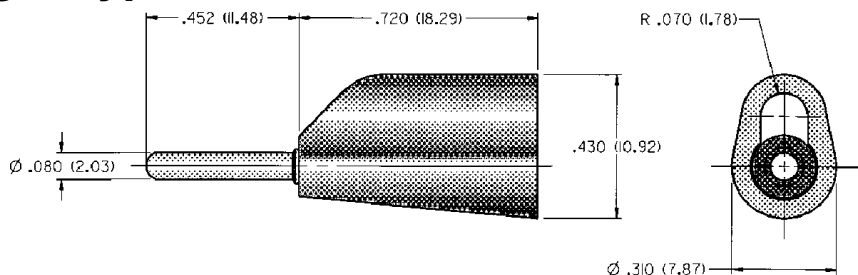
**Contact Resistance:** 0.010 ohms maximum

NICKEL PLATING			
PART NO.	COLOR	PART NO.	COLOR
105-1202-001	Red	105-1203-001	Black

For Standard Tip Jack: .080 (2.00) Diameter

### FEATURES:

- Solderless type connection
- Closed entry blocks access or probes greater than .085 (2.16)
- Accepts wire sizes up to 16 gauge
- Nylon UL approved for self extinguishing



† Avoid user injury due to misapplication. See safety advisory definitions on page 2.