

# Tip Jack

## Insulated Metal Clad: Standard Type

### SPECIFICATIONS

**Contact:** Phosphor bronze per QQ-B-750

**Finish:** Silver

**Body:** Nylon 6/6 per ASTM D4066

**Threaded Brass Jacket:** Per QQ-B-626D, nickel plated

**Panel Thickness:** Up to .281 (7.10)

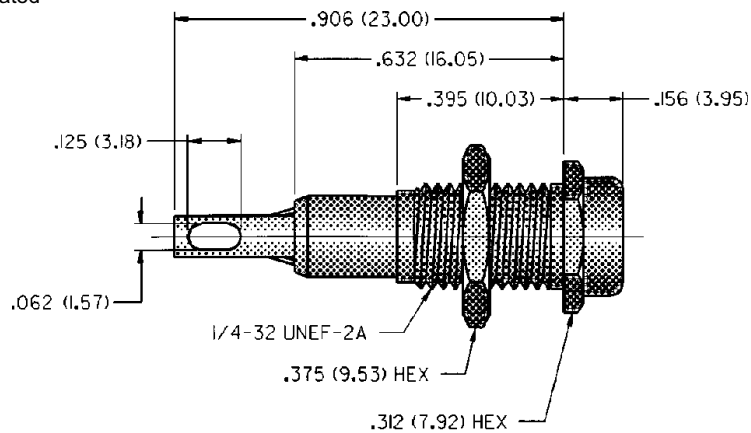
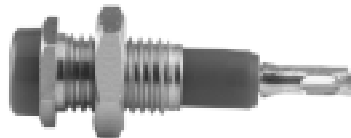
### RATINGS

**Current:** 10 amps

**Breakdown Voltage:** 5700 Vrms minimum +

**Contact Resistance:** 0.010 ohms maximum

**Contact-To-Panel C:** 2 pF nominal



### SILVER PLATING

105-0252-001 Red

For Standard Tip Plug: .080 (2.00) Diameter

### FEATURES:

- Formed contact with slotted terminal
- Nylon UL approved for self extinguishing