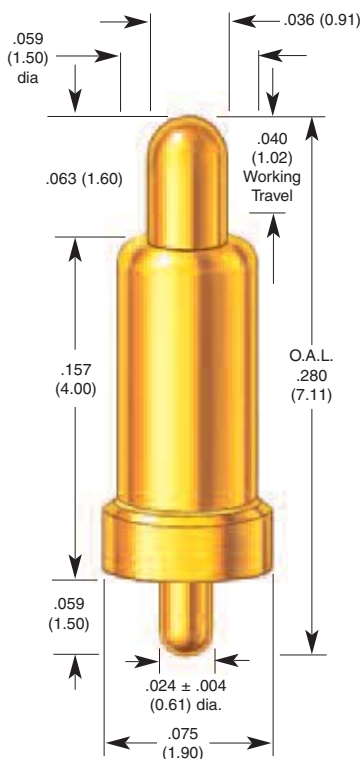


TO ORDER, CALL 909-625-9390

Super-short profile high current probe



CP-059-013

Probe Specifications CP-059-013

Mechanical

Full Travel: .062 (1.57)
 Recommended Working Travel: .040 (1.00)
 Mechanical Life Exceeds: 100,000 cycles

Operating Temperature

-35°C to +105°C
 Consult factory for other temperature requirements.

Electrical (Static Conditions)

Current Rating: 10 amps
 Maximum continuous current, non-inductive at working travel

Average Probe Resistance

< 25 mΩ

Materials and Finishes

Plunger: Brass, gold plated
 Barrel: Brass, gold plated
 Spring: Music wire, gold plated

Spring Force in oz. (grams)

Spring Type	Preload	.040 Travel
Standard	as shown 1.63 (46)	4.50 (128)

Optional spring forces and materials are available.



Battery/Portable Application Probes



Actual Size