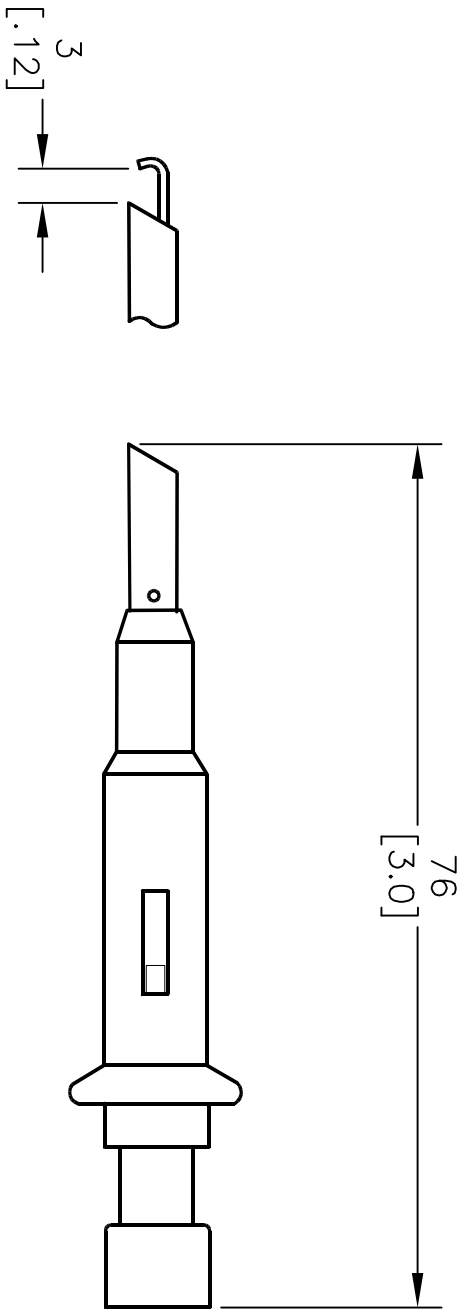


ALL RIGHTS RESERVED. NO PORTION OF THIS PUBLICATION, WHETHER IN WHOLE OR IN PART CAN BE REPRODUCED WITHOUT THE EXPRESS WRITTEN CONSENT OF SPC TECHNOLOGY.

REVISIONS		DOC. NO.	SPC-F005	* Effective:	12/21/98	* DCP No:	880	
DCP #	REV	DESCRIPTION	DRAWN	DATE	CHECKD	DATE	APPR/D	DATE
615	A	RELEASED	JMM	6/21/00	JC	7/31/00	DJC	8/2/00



**Notes**

1. Fits probes with 4mm Contact Tip
2. IEC61010 Ratings: 500V CAT I, 5A
3. Materials: Body - Polyimide(Nylon)  
Tip - Brass, Nickel Plated
4. Internal Resistance: <5 milliohms
5. Temperature: -20°C ~ +80°C

**DISCLAIMER:**  
ALL STATEMENTS AND TECHNICAL INFORMATION CONTAINED HEREIN ARE BASED UPON INFORMATION AND/OR TESTS WE BELIEVE TO BE ACCURATE AND RELIABLE SINCE CONDITIONS OF USE ARE BEYOND OUR CONTROL. THE USER SHALL DETERMINE THE SUITABILITY OF THE PRODUCT FOR THE INTENDED USE AND ASSUME ALL RISK AND LIABILITY WHATSOEVER IN CONNECTION THEREWITH.



DRAWN BY:		DATE:	DRAWING TITLE:		ELECTRONIC FILE		REV
Jeff McVicker		6/21/00	Insulated Probe Spring Hook - Red		16F7703.dwg		A
CHECKED BY:		DATE:	SIZE	DWG. NO.			
JOHN COLE		7/31/00	A	76-032			
APPROVED BY:		DATE:	SCALE:	NTS	U.O.M.: Millimeters [Inches]	SHEET:	1 OF 1
Daniel Carey		8/2/00					