



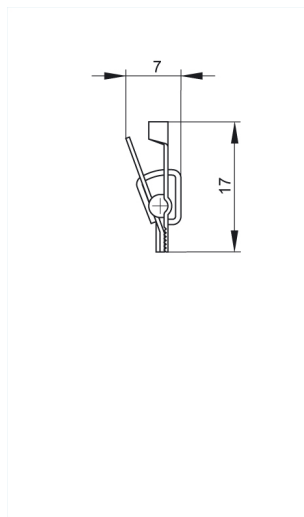
AGF 1

Measuring and Testing Equipment:Alligator clips:2 mm system

Product description

Description	Miniature crocodile clip for small components, e.g. on printed circuits. Bright metal surface. Maximum clamping range 1 mm ² . Maximum connecting lead cross-section 0.5 mm ² soldered or crimped.
Type	AGF 1
Order No.	930 476-001
System	unrelated to system
Clamping range	1 mm
Housing Color	black

Drawing



Technical data

Type of termination	soldered, crimped
Rated voltage	DC 60 V
Contact resistance	15 mOhm

Material

Contact material	brass
Contact surface material	silvered

Environmental conditions

Temperature range	-25 °C to +100 °C
-------------------	-------------------

Inflammability class

Housing	94 HB
---------	-------