



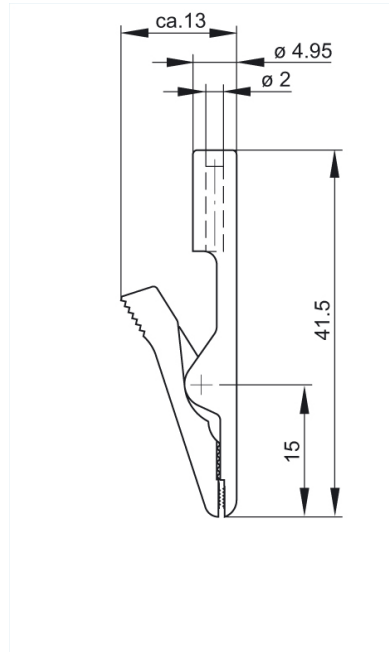
## MA 1 S rot/red

Industrial Connectors:Measuring and Testing Equipment:Alligator clips:2 mm system

### Product description

Description	Miniature alligator clip with unbreakable insulation. The flat part of the jaws (fine wire section) allows a secure contact to be made when clamping even the thinnest wires. Capable of clamping flat components (soldering eyes) and wires up to a maximum diameter of 4 mm. MA 1 S is made of stainless steel - rust-proof , acid-proof, non magnetic. Clamping jaws additionally tin-plated.
Type	MA 1 S rot/red
Order No.	973 584-101
System	2 mm system
Clamping range	4 mm
Housing Color	red
Other standard types	black color, order no. 973 584-100

### Drawing



### Technical data

Type of contact	socket (spring-loaded)
Type of termination	2 mm socket
Rated voltage	DC 60 V
Contact resistance	5 mOhm

### Material

Contact material	stainless steel
Contact surface material	tinned
Housing material	PA
<b>Environmental conditions</b>	
Temperature range	-25 °C to +100 °C
<b>Inflammability class</b>	
Housing	94 HB