



ALL RIGHTS RESERVED. NO PORTION OF THIS PUBLICATION, WHETHER IN WHOLE OR IN PART, CAN BE REPRODUCED WITHOUT THE EXPRESS WRITTEN CONSENT OF SPC TECHNOLOGY.

SPC-F005.DWG

REVISIONS

DOC. NO. SPC-F005 * Effective: 7/8/02 * DCP No: 1398

DCP #	REV	DESCRIPTION	DRAWN	DATE	CHECKD	DATE	APPRVD	DATE
1355	A	RELEASED	JWM	1/5/04	HO	1/13/04	JC	1/23/04

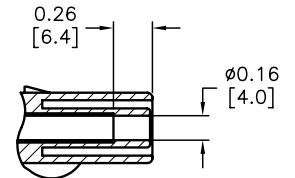
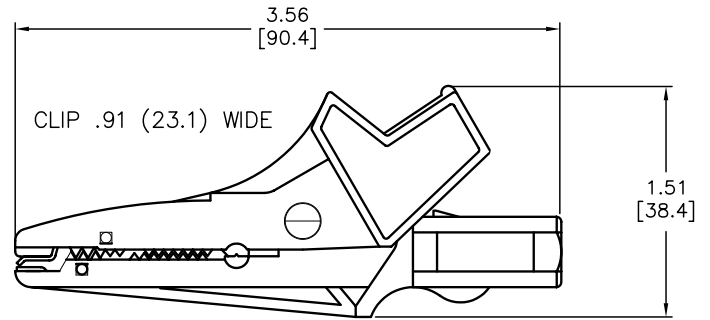
Notes:

Ratings

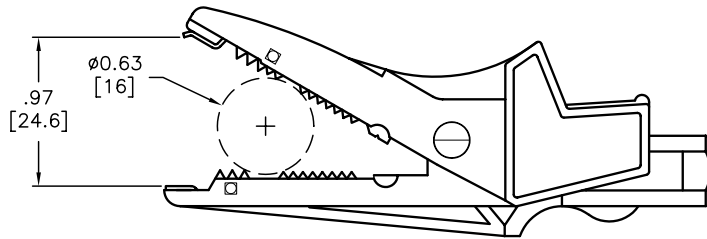
- Voltage: 1000V CAT III P2 (IEC61010-1)
- Current: 20 Amps Max.
- Internal Resistance: <20 milliohms
- Temperature: -20°C ~ +80°C

Materials:

- Body: Polyamide (Nylon) Red
- Contact: Brass, Nickel Plated



JACK SECTION



DISCLAIMER:
ALL STATEMENTS AND TECHNICAL INFORMATION CONTAINED HEREIN ARE BASED UPON INFORMATION AND/OR TESTS WE BELIEVE TO BE ACCURATE AND RELIABLE. SINCE CONDITIONS OF USE ARE BEYOND OUR CONTROL, THE USER SHALL DETERMINE THE SUITABILITY OF THE PRODUCT FOR THE INTENDED USE AND ASSUME ALL RISK AND LIABILITY WHATSOEVER IN CONNECTION THEREWITH.

TOLERANCES:

UNLESS OTHERWISE SPECIFIED, DIMENSIONS ARE FOR REFERENCE PURPOSES ONLY.

DRAWN BY:	DATE:
Jeff McVicker	1/5/04
CHECKED BY:	DATE:
Hisham Odish	1/14/04
APPROVED BY:	DATE:
John Cole	1/23/04

DRAWING TITLE:

4mm Fully Insulated Alligator Clip, Red

SIZE	DWG. NO.	ELECTRONIC FILE	REV
A	76-124	72C5674.dwg	A
SCALE:	U.O.M.: INCHES [mm]	SHEET: 1 OF 1	
NTS			