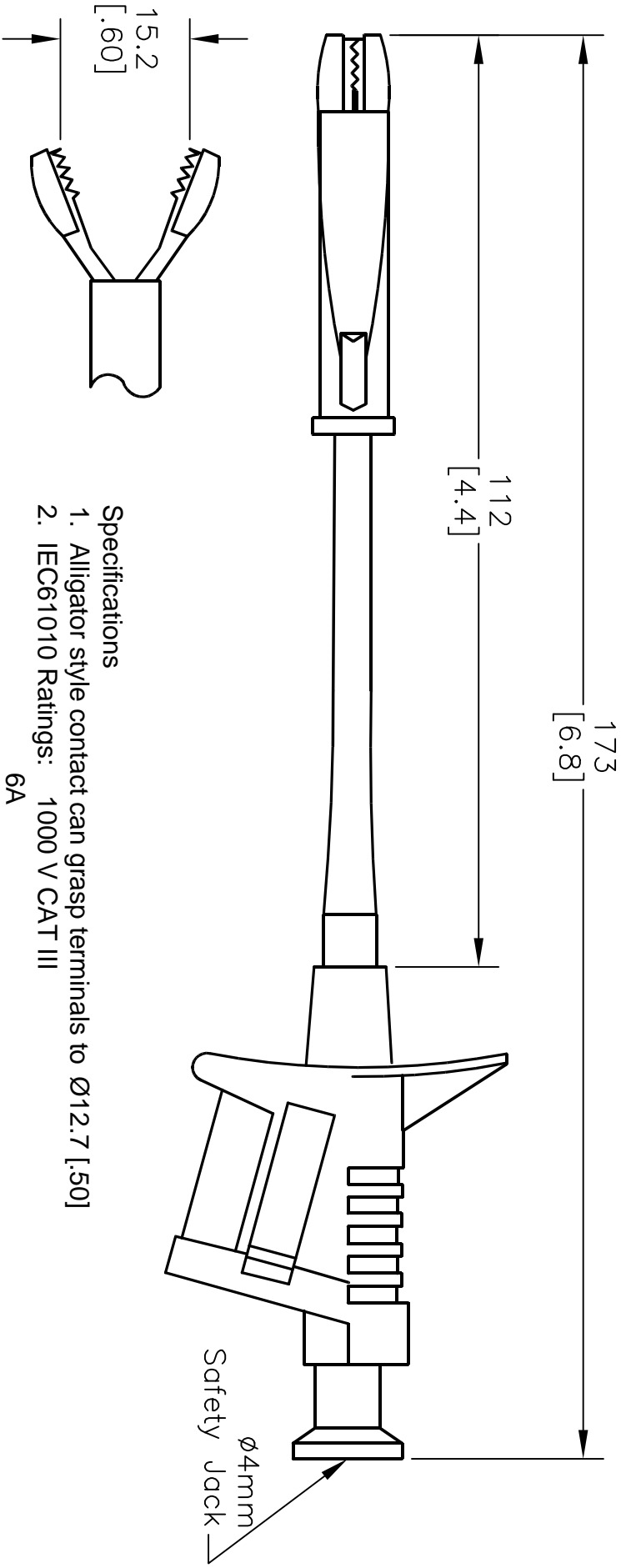


ALL RIGHTS RESERVED. NO PORTION OF THIS PUBLICATION, WHETHER IN WHOLE OR IN PART CAN BE REPRODUCED WITHOUT THE EXPRESS WRITTEN CONSENT OF SPC TECHNOLOGY.

REVISIONS		DOC. NO.	SFC-F005	* Effective:	12/21/98	* DCP No:	880	
DCP #	REV	DESCRIPTION	DRAWN	DATE	CHECKD	DATE	APPRVD	DATE
615	A	Released	JMM	7/10/00	JC	8/11/00	DJC	8/22/00



Specifications

1. Alligator style contact can grasp terminals to Ø12.7 [.50]
2. IEC61010 Ratings: 1000 V CAT III
6A
Reinforced or double insulation
3. Materials: Body - Polyamide (Nylon) & Santoprene
Tip - Brass, Nickel Plated
4. Internal Resistance: <50 milliohms
5. Temperature: -20°C to +80°C



DISCLAIMER:
ALL STATEMENTS AND TECHNICAL INFORMATION CONTAINED HEREIN ARE BASED UPON INFORMATION AND/OR TESTS WE BELIEVE TO BE ACCURATE AND RELIABLE SINCE CONDITIONS OF USE ARE BEYOND OUR CONTROL. THE USER SHALL DETERMINE THE SUITABILITY OF THE PRODUCT FOR THE INTENDED USE AND ASSUME ALL RISK AND LIABILITY WHATSOEVER IN CONNECTION THEREWITH.



UNLESS OTHERWISE SPECIFIED, DIMENSIONS ARE FOR REFERENCE PURPOSES ONLY.		DRAWING TITLE: Alligator Style Flexible Clip – Black	
DRAWN BY:	Jeff McVicker	DATE:	7/10/00
CHECKED BY:	John Cole	DATE:	8/11/00
APPROVED BY:	Daniel Carey	DATE:	8/22/00
SIZE:	A	DWG. NO.:	76-063
SCALE:	NTS	ELECTRONIC FILE:	16F7730.dwg
U.O.M.: Millimeters [Inches]		SHEET:	1 OF 1