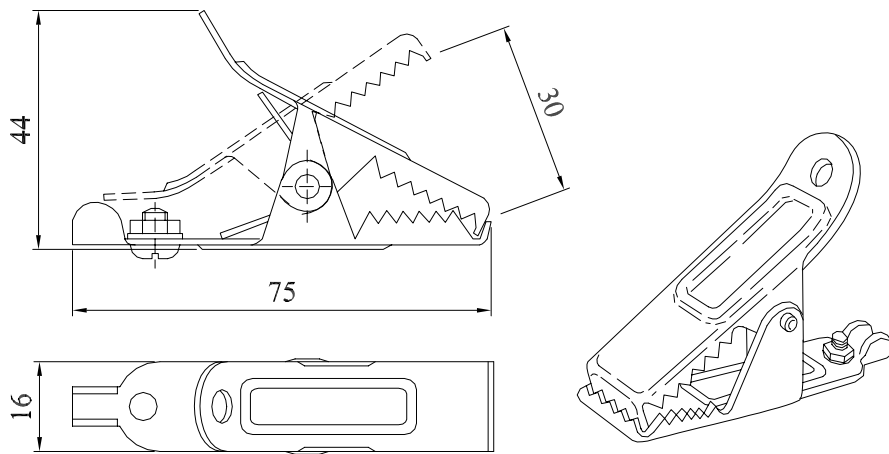


General purpose crocodile clip, manufactured from bright mild steel. Large (30mm) jaw opening makes it suitable as a battery clip. The integral cable clamp has a secure 4mm screw fixing, and the enhanced finger grip ensures a simple operation.

MATERIAL : Bright Mild Steel
 CLIP : CS4, nickel plated
 SCREW / NUT & WASHER : M4 x 6mm, Steel, nickel plated
 Current Rating : 25 Amps

Dimensions



CONVERTED FROM PS00129 ISS3 (01.02.98) IN JAN 2003

DrgNo 304-0000

TITLE LARGE CROCODILE CLIP

ALL DIMENSIONS IN MM
 ANGLES IN DECIMAL DEGREES

DELTRON Components

ISSUE 3

GENERAL SPECIFICATION FOR 304-0000

CUSTOMER FILTER REF

Aprvd Date 10/02/03 Aprvd By MC Drwn by BFS Scale: NTS Sheet 1 / 1

© Deltron Emcon Limited E-Mail components@deltron-emcon.com, Website www.deltron-emcon.com. Phone +44 1724 273200 Fax +44 1724 270230

DELTRON Emcon